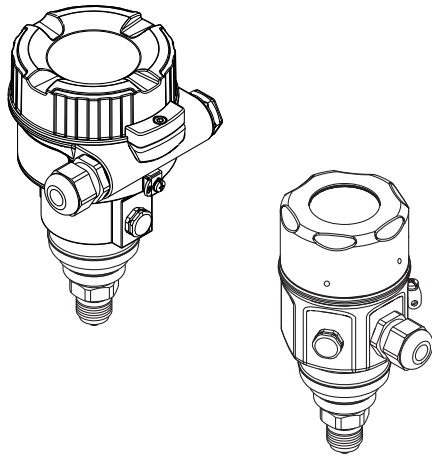


# **Pressure Transmitter LHC-M51, PPC-M51**

## **Process Pressure**

### **With HART electronics**



These are Brief Operating Instructions.

For more detailed information, please refer to the Operating Instructions and the additional documentation in the internet at [www.pepperl-fuchs.com](http://www.pepperl-fuchs.com).

These Brief Operating Instructions are not intended to replace the Operating Instructions provided in the scope of supply.

The complete device documentation consists of:

- these Brief Operating Instructions
- the Operating Instructions
- Technical Information

With regard to the supply of products, the current issue of the following document is applicable:

The General Terms of Delivery for Products and Services of the Electrical Industry, published by the Central Association of the Electrical Industry (Zentralverband Elektrotechnik und Elektroindustrie (ZVEI) e.V.) in its most recent version as well as the supplementary clause: "Expanded reservation of proprietorship".

<b>1</b>	<b>Safety Instructions</b> . . . . .	<b>4</b>
1.1	Intended use . . . . .	4
1.2	Installation, commissioning and operation. . . . .	4
1.3	Operational safety and process safety. . . . .	4
1.4	Return. . . . .	5
1.5	Safety symbols . . . . .	5
<b>2</b>	<b>Mounting</b> . . . . .	<b>6</b>
2.1	Installation position . . . . .	6
2.2	Installation instructions for devices without diaphragm seals. . . . .	6
2.3	Assembling and mounting the "separate housing" version . . . . .	8
2.4	Closing the cover on the stainless steel housing . . . . .	9
2.5	Post-installation check . . . . .	9
<b>3</b>	<b>Wiring</b> . . . . .	<b>10</b>
3.1	Connecting the device. . . . .	10
3.2	Connecting the measuring unit. . . . .	11
3.3	Potential equalization . . . . .	11
3.4	Post-connection check . . . . .	11
<b>4</b>	<b>Operation</b> . . . . .	<b>12</b>
4.1	Operation without operating menu . . . . .	12
4.2	Operation with operating menu . . . . .	14
<b>5</b>	<b>Commissioning</b> . . . . .	<b>22</b>
5.1	Commissioning without operating menu . . . . .	22
5.2	Commissioning with operating menu. . . . .	24
5.3	Position zero adjustment. . . . .	25
5.4	Commissioning of Level measurement . . . . .	26
5.5	Pressure measurement. . . . .	35
5.6	Function check. . . . .	36

# 1 Safety Instructions

## 1.1 Intended use

The pressure transmitter is used for measuring pressure and level.

The manufacturer accepts no liability for damages resulting from incorrect use or use other than that designated.

## 1.2 Installation, commissioning and operation

- The device must only be installed, connected, commissioned and maintained by qualified and authorized specialists (e. g. electrical technicians) in full compliance with the instructions in this manual, the applicable norms, legal regulations and certificates (depending on the application).
- The specialist must have read and understood this manual and must follow the instructions it contains. If you are unclear on anything in these Brief Operating Instructions, you must read the Operating Instructions. The Operating Instructions provide detailed information on the device/measuring system.
- The device may only be modified or repaired if such work is expressly permitted in the Operating Instructions.
- If faults cannot be rectified, the device must be taken out of service and secured against unintentional commissioning.
- Do not operate damaged devices. Mark them as defective.

## 1.3 Operational safety and process safety

- Alternative monitoring measures must be taken to ensure operational safety and process safety during configuration, testing and maintenance work on the device.
- The device is safely built and tested according to state-of-the-art technology and has left the factory in perfect condition as regards technical safety. The applicable regulations and European standards have been taken into account.
- Pay particular attention to the technical data on the nameplate.
- Devices for use in hazardous areas are fitted with an additional nameplate. If the device is to be installed in an explosion hazardous area, then the specifications in the certificate as well as all national and local regulations must be observed. The device is accompanied by separate "Ex documentation", which is an integral part of this Operating Instructions. The installation regulations, connection values and Safety Instructions listed in this Ex document must be observed. The documentation number of the related Safety Instructions is also indicated on the additional nameplate.
- If using devices for applications with safety integrity level, the separate manual on functional safety must be observed thoroughly.







**WARNING**

Only disassemble the device in pressureless condition!

## 1.4 Return

Follow the instructions on returning the device as outlined in the Operating Instructions.

## 1.5 Safety symbols

Symbol	Meaning
 P0011189-EN	<b>DANGER!</b> This symbol alerts you to a dangerous situation. Failure to avoid this situation will result in serious or fatal injury.
 P0011190-EN	<b>WARNING!</b> This symbol alerts you to a dangerous situation. Failure to avoid this situation can result in serious or fatal injury.
 P0011191-EN	<b>CAUTION!</b> This symbol alerts you to a dangerous situation. Failure to avoid this situation can result in minor or medium injury.
 P0011192-EN	<b>NOTE!</b> This symbol contains information on procedures and other facts which do not result in personal injury.

## 2 Mounting

- WARNING** The seal is not allowed to press against the process isolating diaphragm as this could affect the measurement result.

### 2.1 Installation position

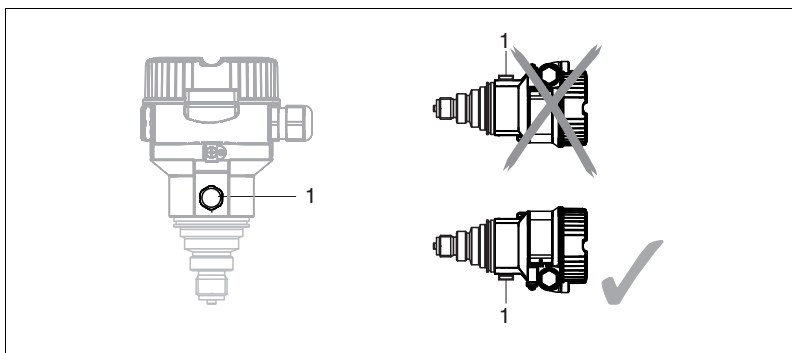
**NOTICE**

- Due to the orientation of the pressure transmitter, there may be a shift in the measured value, i. e. when the container is empty, the measured value does not display zero. You may correct this zero point shift by a position adjustment in one of the following ways:
  - via the operation keys on the electronics module  
→ 13, "Function of the Operating Elements"
  - via the operating menu, → 25, "Position zero adjustment"
- Pepperl+Fuchs offers a mounting bracket for installing on pipes or walls (see Operating Instructions BA00382O).

### 2.2 Installation instructions for devices without diaphragm seals

**NOTICE**

- ▶ Keep the pressure compensation and GORE-TEX® filter (1) free from contamination.
- ▶ Pressure transmitters without diaphragm seals are mounted as per the norms for a manometer (DIN EN 837-2). We recommend the use of shutoff devices and siphons. The orientation depends on the measuring application.
- ▶ Do not clean or touch process isolating diaphragms with hard or pointed objects.
- ▶ If a heated pressure transmitter is cooled during the cleaning process (e. g. by cold water), a vacuum develops for a short time, whereby moisture can penetrate the sensor through the pressure compensation (1). If this is the case, mount the pressure transmitter with the pressure compensation (1) pointing downwards.



#### 2.2.1 Pressure measurement in gases

- ▶ Mount the pressure transmitter with shutoff device above the tapping point so that condensate which may be present, can flow into the process.

### **2.2.2 Pressure measurement in steams**

- ▶ Mount the pressure transmitter with siphon above the tapping point.
- ▶ Fill the siphon with liquid before commissioning.  
The siphon reduces the temperature to almost the ambient temperature.

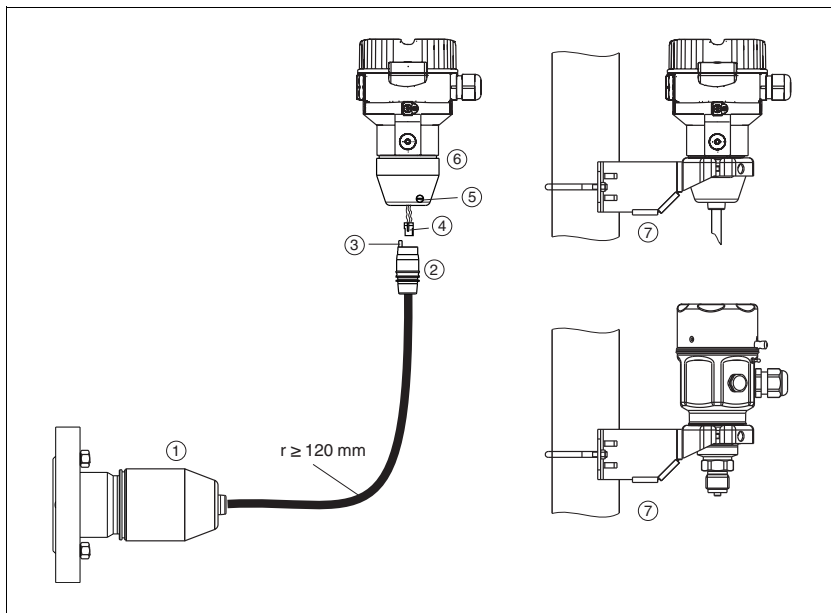
### **2.2.3 Pressure measurement in liquids**


- ▶ Mount the pressure transmitter with shutoff device below or at the same level as the tapping point.

### **2.2.4 Level measurement**

- ▶ Always install the pressure transmitter below the lowest measuring point.
- ▶ Do not mount the device in the filling curtain or at a point in the tank which could be affected by pressure pulses from an agitator.
- ▶ Do not mount the device in the suction area of a pump.
- ▶ The calibration and functional test can be carried out more easily if you mount the device downstream of a shutoff device.

## 2.3 Assembling and mounting the "separate housing" version



1  "Separate housing" version

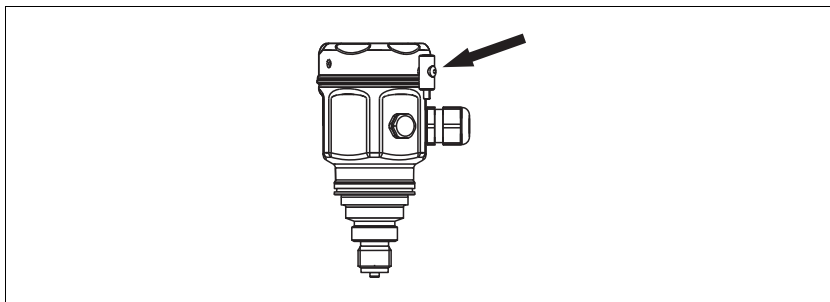
- 1 In the case of the "separate housing" version, the sensor is delivered with the process connection and cable ready mounted.
- 2 Cable with connection jack
- 3 Pressure compensation
- 4 Connector
- 5 Locking screw
- 6 Housing mounted with housing adapter, included
- 7 Mounting bracket provided, suitable for pipe and wall mounting (for pipes from 1-1/4 in up to 2 in diameter)


### 2.3.1 Assembly and mounting

1. Insert the connector (4) into the corresponding connection jack of the cable (2).
2. Plug the cable into the housing adapter (6).
3. Tighten the locking screw (5).
4. Mount the housing on a wall or pipe using the mounting bracket (7).  
When mounting on a pipe, tighten the nuts on the bracket uniformly with a torque of at least 5 Nm (3.69 lbs ft).  
Mount the cable with a bending radius ( $r \geq 120$  mm (4.72 in)).



## 2.4 Closing the cover on the stainless steel housing



2  Closing the cover

The cover for the electronics compartment is tightened by hand at the housing until the stop. The screw serves as DustEx protection (only available for devices with DustEx approval).

## 2.5 Post-installation check

After installing the device, carry out the following checks:

- ▶ Are all screws firmly tightened?
- ▶ Are the housing covers screwed down tight?

## 3 Wiring

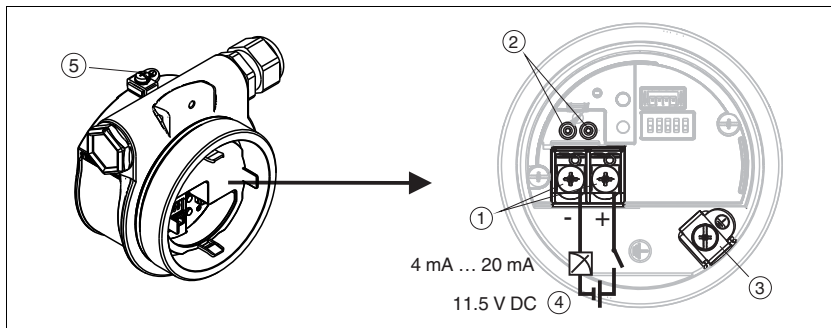
### 3.1 Connecting the device


#### NOTICE

- When using the measuring device in hazardous areas, installation must comply with the corresponding national standards and regulations and the Safety Instructions or Installation or Control Drawings.
- A suitable circuit breaker has to be provided for the device in accordance with IEC/EN 61010.
- Devices with integrated overvoltage protection must be earthed.
- Protective circuits against reverse polarity, HF influences and overvoltage peaks are integrated.

#### The procedure

1. Check if the supply voltage matches the specified supply voltage on the nameplate.
2. Switch off the supply voltage before connecting the device.
3. Remove housing cover.
4. Guide cable through the gland. Preferably use twisted, screened two-wire cable.
5. Connect device in accordance with the following diagram.
6. Screw down housing cover.
7. Switch on supply voltage.



3  Electrical connection 4 mA to 20 mA

- 1 Terminals for supply voltage and signal
- 2 Test terminals
- 3 Grounding terminal
- 4 Supply voltage: 11.5 V DC to 45 V DC (versions with plug connectors: 35 V DC)
- 5 External ground terminal

## 3.2 Connecting the measuring unit

### 3.2.1 Supply voltage

#### NOTICE

- When using the measuring device in hazardous areas, installation must comply with the corresponding national standards and regulations and the Safety Instructions or Installation or Control Drawings.
- All explosion protection data are given in separate documentation which is available upon request. The Ex documentation is supplied as standard with all devices approved for use in explosion hazardous areas.

Electronic version	
4 mA to 20 mA HART, for non-hazardous areas	11.5 V DC to 45 V DC (versions with plug-in connector 35 V DC)

#### Taking 4 mA to 20 mA test signal

A 4 mA to 20 mA test signal may be measured via the test terminals without interrupting the measurement. To keep the corresponding measured error below 0.1 %, the current measuring device should exhibit an internal resistance of  $< 0.7 \Omega$ .

### 3.2.2 Cable specification

- Pepperl+Fuchs recommends using twisted, shielded two-wire cables.
- Terminals for wire cross-sections: 0.5 mm<sup>2</sup> to 2.5 mm<sup>2</sup> (20 AWG to 14 AWG)
- Cable outer diameter: 5 mm to 9 mm (0.2 in to 0.35 in) depends on the used cable gland (see technical information)

### 3.2.3 Shielding/potential equalization

- You achieve optimum shielding against disturbances if the shielding is connected on both sides (in the cabinet and on the device). If potential equalization currents are expected in the plant, only ground shielding on one side, preferably at the transmitter.
- When using in hazardous areas, you must observe the applicable regulations. Separate Ex documentation with additional technical data and instructions is included with all Ex systems as standard.

## 3.3 Potential equalization

Hazardous area applications: Connect all devices to the local potential equalization. Observe the applicable regulations.

## 3.4 Post-connection check

Perform the following checks after completing electrical installation of the device:

- ▶ Does the supply voltage match the specifications on the nameplate?
- ▶ Is the device connected as per section 3.1?
- ▶ Are all screws firmly tightened?
- ▶ Are the housing covers screwed down tight?

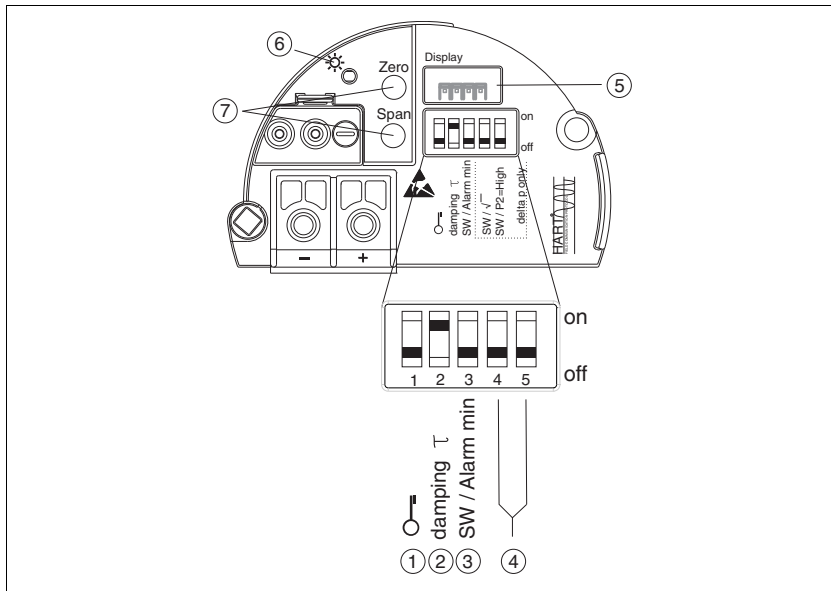
As soon as voltage is applied to the device, the green LED on the electronic insert lights up for a few seconds or the connected local display lights up.

## 4 Operation

### 4.1 Operation without operating menu

#### 4.1.1 Position of operating elements


The operating keys and DIP switch are located on the electronic insert in the device.



4  HART electronic insert

- 1 DIP switch for locking/unlocking parameters relevant to the measured value
- 2 DIP switch for switching damping on/off
- 3 DIP switch for alarm current SW/Alarm Min (3.6 mA)
- 4 DIP switch (not used)
- 5 Slot for optional local display
- 6 Green LED to indicate successful operation
- 7 Operating keys for lower range value (zero) and upper range value (span)

### Function of the DIP switches

Switches	Symbol/ labeling	Switch position	
		"off"	"on"
1		The device is unlocked. Parameters relevant to the measured value can be modified.	The device is locked. <sup>1</sup> Parameters relevant to the measured value cannot be modified.
2	damping $\tau$	Damping is switched off. The output signal follows measured value changes without any delay.	Damping is switched on. The output signal follows measured value changes with the delay time $\tau$ . <sup>2</sup>
3	SW/Alarm min	The alarm current is defined by the setting in the operating menu. ("Setup" → "Extended setup" → "Curr. output" → "Output fail mode")	The alarm current is 3.6 mA regardless of the setting in the operating menu.

<sup>1</sup> If operation is locked by means of the DIP switch, you can only unlock operation again by means of the DIP switch. If operation is locked by means of the operating menu, you can only unlock operation again using the operating menu.

<sup>2</sup> The value for the delay time can be configured via the operating menu ("Setup" → "Damping").  
Factory setting:  $\tau = 2$  s or as per order specifications.

### Function of the Operating Elements

Operating key(s)	Meaning
"Zero" pressed for at least 3 seconds	<p><b>Get lower range value</b></p> <ul style="list-style-type: none"> <li>"Pressure" measuring mode The pressure present is accepted as the lower range value (LRV).</li> <li>"Level" measuring mode, "In pressure" level selection, "Wet" calibration mode The pressure present is assigned to the lower level value ("Empty calibration").</li> </ul> <p><b>NOTICE</b> No function is assigned to the key if level selection = "In height" and/or calibration mode = "Dry"</p>
"Span" pressed for at least 3 seconds	<p><b>Get upper range value</b></p> <ul style="list-style-type: none"> <li>"Pressure" measuring mode The pressure present is accepted as the upper range value (URV).</li> <li>"Level" measuring mode, "In pressure" level selection, "Wet" calibration mode The pressure present is assigned to the upper level value ("Full calibration").</li> </ul> <p><b>NOTICE</b> No function is assigned to the key if level selection = "In height" and/or calibration mode = "Dry"</p>
"Zero" and "Span" pressed simultaneously for at least 3 seconds	<p><b>Position adjustment</b></p> <p>The sensor characteristic curve is shifted such that the pressure present becomes the zero value.</p>

08/2013

255825

TD0CT-3001AE/ENG

## 4.2 Operation with operating menu

### 4.2.1 Operation concept

The operation concept makes a distinction between the following user roles:

User role	Meaning
Operator	Operators are responsible for the devices during normal "operation". This is usually limited to reading process values either directly at the device or in a control room. If the work with the devices extends beyond value read-off tasks, the tasks involve simple, application-specific functions that are used in operation. Should an error occur, these users simply forward the information on the errors but do not intervene themselves.
Service engineer/ technician	Service engineers usually work with the devices in the phases following device commissioning. They are primarily involved in maintenance and troubleshooting activities for which simple settings have to be made at the device. Technicians work with the devices over the entire life cycle of the product. Thus, commissioning and advanced settings and configurations are some of the tasks they have to carry out.
Expert	Experts work with the devices over the entire product life cycle, but their device requirements are often extremely high. Individual parameters/functions from the overall functionality of the devices are required for this purpose time and again. In addition to technical, process-oriented tasks, experts can also perform administrative tasks (e. g. user administration). "Experts" can avail of the entire parameter set.

## 4.2.2 Structure of the operating menu

User role	Submenu	Meaning/use
Operator	Language	Only consists of the "Language" parameter (000) where the operating language for the device is specified. The language can always be changed even if the device is locked.
Operator	Display/operat.	Contains parameters that are needed to configure the measured value display (selecting the values displayed, display format, display contrast, etc.). With this submenu, users can change the measured value display without affecting the actual measurement.
Service engineer/ technician	Setup	Contains all the parameters that are needed to commission measuring operations. This submenu has the following structure: <ul style="list-style-type: none"> <li>• <b>Standard setup parameters</b> A wide range of parameters, which can be used to configure a typical application, is available at the start. The measuring mode selected determines which parameters are available. After making settings for all these parameters, the measuring operation should be completely configured in the majority of cases.</li> <li>• <b>"Extended setup" submenu</b> The "Setup" submenu contains additional parameters for more in-depth configuration of the measurement operation to convert the measured value and to scale the output signal. This menu is split into additional submenus depending on the measuring mode selected.</li> </ul>
Service engineer/ technician	Diagnosis	Contains all the parameters that are needed to detect and analyze operating errors. This submenu has the following structure: <ul style="list-style-type: none"> <li>• <b>Diagnostic list</b> Contains up to 10 error messages currently pending.</li> <li>• <b>Event logbook</b> Contains the last 10 error messages (no longer pending).</li> <li>• <b>Instrument info</b> Contains information on the device identification.</li> <li>• <b>Measured values</b> Contains all the current measured values</li> <li>• <b>Simulation</b> Is used to simulate pressure, level, current and alarm/warning.</li> <li>• <b>Reset</b></li> </ul>
Expert	Expert	Contains all the parameters of the device (including those in one of the submenus). The "Expert" submenu is structured by the function blocks of the device. It thus contains the following submenus: <ul style="list-style-type: none"> <li>• <b>System</b> Contains all the device parameters that neither affect measurement nor integration into a distributed control system.</li> <li>• <b>Measurement</b> Contains all the parameters for configuring the measurement.</li> <li>• <b>Output</b> Contains all the parameters for configuring the current output.</li> <li>• <b>Communication</b> Contains all the parameters for configuring the HART interface.</li> <li>• <b>Application</b> Contains all the parameters for configuring the functions that go beyond the actual measurement.</li> <li>• <b>Diagnosis</b> Contains all the parameters that are needed to detect and analyze operating errors.</li> </ul>

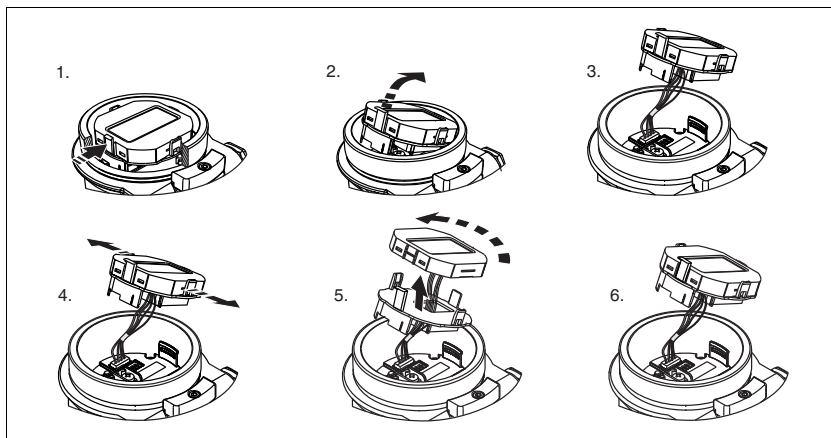
### 4.2.3 Operation with device display (optional)

A 4-line liquid crystal display (LCD) is used for display and operation. The local display shows measured values, dialog texts, fault messages and notice messages.

For easy operation the display can be taken out of the housing (see diagram steps 1 to 3). It is connected to the device through a 90 mm (3.54 in) cable.

The display of the device can be turned in 90° stages (see diagram steps 4 to 6).

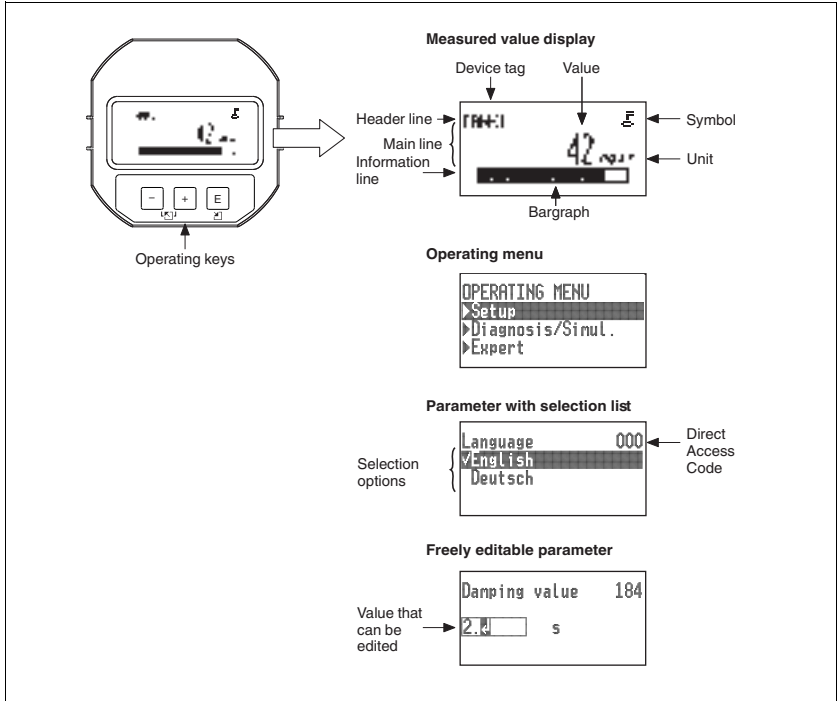
Depending on the orientation of the device, this makes it easy to operate the device and read the measured values.



Functions:

- 8-digit measured value display including sign and decimal point, bargraph for 4 mA to 20 mA HART as current display
- Three keys for operation
- Simple and complete menu guidance as parameters are split into several levels and groups
- Each parameter is given a 3-digit parameter code for easy navigation
- Possibility of configuring the display to suit individual requirements and preferences, such as language, alternating display, contrast setting, display of other measured values such as sensor temperature etc.
- Comprehensive diagnostic functions (fault and warning message etc.)





### Display symbols

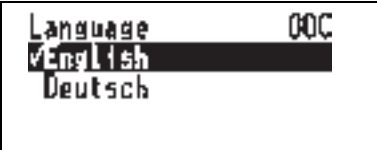


Symbol	Meaning
	<b>Lock symbol</b> The operation of the device is locked. To unlock the device, → 21, "Locking/unlocking operation".
	<b>Communication symbol</b> Data transfer via communication
	<b>Error message "Out of specification"</b> The device is being operated outside its technical specifications (e. g. during warm-up or cleaning processes).
	<b>Error message "Service mode"</b> The device is in the service mode (during a simulation, for example).
	<b>Error message "Maintenance required"</b> Maintenance is required. The measured value remains valid.
	<b>Error message "Failure detected"</b> An operating error has occurred. The measured value is no longer valid.

### Operating keys on the display and operating module

Operating key(s)	Meaning
[+]	<ul style="list-style-type: none"> <li>Navigate downwards in the picklist</li> <li>Edit the numerical values and characters within a function</li> </ul>
[-]	<ul style="list-style-type: none"> <li>Navigate upwards in the picklist</li> <li>Edit the numerical values and characters within a function</li> </ul>
[E]	<ul style="list-style-type: none"> <li>Confirm entry</li> <li>Jump to the next item</li> <li>Selection of a menu item and activation of the editing mode</li> </ul>
[+] and [E]	Contrast setting of local display: darker
[-] and [E]	Contrast setting of local display: brighter
[+] and [+]	<b>ESC functions:</b> <ul style="list-style-type: none"> <li>Exit the edit mode for a parameter without saving the changed value.</li> <li>You are in a menu at a selection level. Each time you press the keys simultaneously, you go up a level in the menu.</li> </ul>

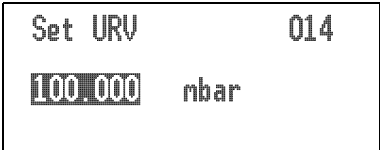
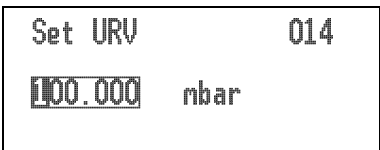
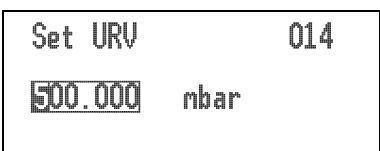
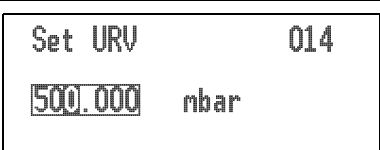
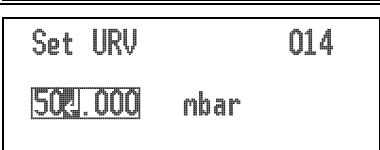
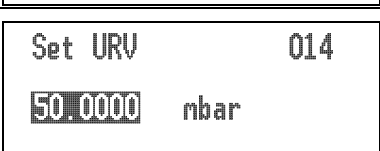
### Parameters with a picklist

Example: selecting "Deutsch" as the language of the menu.

Local display	Operation
	"English" is set as the menu language (default value). A ✓ in front of the menu text indicates the active option.
	Select "Deutsch" with "+" or "-".
	<ol style="list-style-type: none"> <li>Confirm your choice with "E". A ✓ in front of the menu text indicates the active option. ("Deutsch" is now selected as the menu language.)</li> <li>Exit the edit mode for the parameter with "E".</li> </ol>

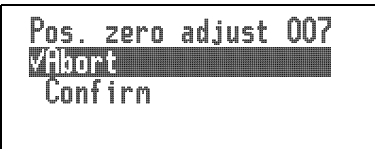
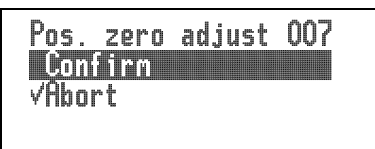

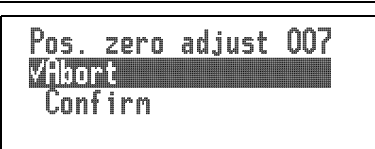
### User-definable parameters

Example: setting "Set URV" parameter from 100 mbar (1.5 psi) to 50 mbar (0.75 psi).

Local display	Operation
	<p>The local display shows the parameter to be changed. The value highlighted in black can be changed. The "mbar" unit is specified in another parameter and cannot be modified here.</p>
	<ol style="list-style-type: none"> <li>1. Press "+" or "-" to get to the editing mode.</li> <li>2. The first digit is highlighted in black.</li> </ol>
	<ol style="list-style-type: none"> <li>1. Use "+" to change "1" to "5".</li> <li>2. Confirm "5" with "E". The cursor jumps to the next position (highlighted in black).</li> <li>3. Confirm "0" with "E" (second position).</li> </ol>
	<p>The third position is highlighted in black and can now be edited.</p>
	<ol style="list-style-type: none"> <li>1. Switch to the "-" symbol with the "-" key.</li> <li>2. Use "E" to save the new value and exit the editing mode. → See next graphic.</li> </ol>
	<p>The new value for the upper range value is 50.0 mbar (0.75 psi).</p> <ul style="list-style-type: none"> <li>• You exit the edit mode for the parameter with "E".</li> <li>• You can get back to the editing mode with "+" or "-".</li> </ul>

### Accepting the pressure present

Example: setting position adjustment

Local display	Operation
 <p>Pos. zero adjust 007  <span style="background-color: black; color: black;">Abort</span>            Confirm</p>	<p>The pressure for position adjustment is present at the device.</p>
 <p>Pos. zero adjust 007  <span style="background-color: black; color: black;">Confirm</span>            Abort</p>	<p>Use "+" or "-" to switch to the "Confirm" option. The active option is highlighted in black.</p>
 <p>Compensation            accepted!</p>	<p>Accept the pressure present as position adjustment with the "E" key. The device confirms the adjustment and goes back to the "Pos. zero adjust" parameter.</p>
 <p>Pos. zero adjust 007  <span style="background-color: black; color: black;">Abort</span>            Confirm</p>	<p>Exit the edit mode for the parameter with "E".</p>

#### 4.2.4 Locking/unlocking operation

Once you have entered all the parameters, you can lock your entries against unauthorized and undesired access.

Locked operation is indicated as follows:

- By the  symbol on the onsite display
- The parameters are grayed out in **FACTware™** and the HART handheld terminal, which means they cannot be edited. Indicated in the corresponding "Locking" parameter.

Parameters which refer to how the display appears, e. g. "Language" and "Display contrast", can still be altered.

#### NOTICE

If operation is locked by means of the DIP switch, you can only unlock operation again by means of the DIP switch. If operation is locked by means of the operating menu, you can only unlock operation again using the operating menu.

The "Operator code" parameter is used to lock and unlock the device.

Parameter name	Description
<b>Operator code (021)</b> Entry  Menu path: Setup → Extended setup → Operator code	Use this function to enter a code to lock or unlock operation.  <b>User input:</b> <ul style="list-style-type: none"> <li>• To lock: Enter a number ≠ the release code (value range: 1 up to 9999).</li> <li>• To unlock: Enter the release code.</li> </ul> <b>NOTICE</b> The release code is "0" in the order configuration. Another release code can be defined in the "Code definition" parameter. If the user has forgotten the release code, it can be made visible again by entering the number sequence "5864".  <b>Factory setting:</b> 0

The release code is defined in the "Code definition" parameter.

Parameter name	Description
<b>Code definition (023)</b> Entry  Menu path: Setup → Extended setup → Code definition	Use this function to enter a release code with which the device can be unlocked.  <b>User input:</b> A number between 0 and 999  <b>Factory setting:</b> 0

## 5 Commissioning

**WARNING** If a pressure smaller than the minimum permitted pressure or greater than the maximum permitted pressure is present at the device, the following messages are output in succession:

- "S140 Working range P" or "F140 Working range P"
- "S841 Sensor range" or "F841 Sensor range"
- "S971 Sensor range"

Depending on the setting in the "Alarm behavior" (050) parameter

**NOTICE** The device is configured for the Pressure measuring mode as standard. The measuring range and the unit in which the measured value is transmitted correspond to the specifications on the nameplate.

### 5.1 Commissioning without operating menu

#### 5.1.1 Pressure measuring mode

If no local display is connected, the following functions are possible by means of the keys on the electronic insert:

- Position adjustment (zero point correction)
- Setting lower range value and upper range value
- Device reset

**NOTICE**

- Operation must be unlocked. → 21, "Locking/unlocking operation"
- The device is configured for the "Pressure" measuring mode as standard. You can switch measuring modes by means of the "Measuring mode" parameter. → 24.
- The pressure applied must be within the nominal pressure limits of the sensor. See information on the nameplate.

1. Carrying out position adjustment <sup>1</sup>		2. Setting lower range value		3. Setting upper range value	
Pressure is present at device.		Desired pressure for lower range value is present at device.		Desired pressure for upper range value is present at device.	
↓		↓		↓	
Press the "Zero" and "Span" keys simultaneously for at least 3 s.		Press the "Zero" key for at least 3 s.		Press the "Span" key for at least 3 s.	
↓		↓		↓	
Does the LED on the electronic insert light up briefly?		Does the LED on the electronic insert light up briefly?		Does the LED on the electronic insert light up briefly?	
Yes	No	Yes	No	Yes	No
↓	↓	↓	↓	↓	↓
Applied pressure for position adjustment has been accepted.	Applied pressure for position adjustment has not been accepted. Observe the input limits.	Applied pressure for lower range value has been accepted.	Applied pressure for lower range value has not been accepted. Observe the input limits.	Applied pressure for upper range value has been accepted.	Applied pressure for upper range value has not been accepted. Observe the input limits.

<sup>1</sup> Observe warning on commissioning (→ 22).

## 5.1.2 Level measuring mode

The following functions are possible by means of the keys on the electronic insert:

- Position adjustment (zero point correction)
- Setting the lower and upper pressure value and assigning to the lower and upper level value
- Device reset

### NOTICE

- The "Zero" and "Span" keys only have a function with the following setting:
  - "Level selection" = "In pressure", "Calibration mode" = "Wet"
 The keys have no function in other settings.
- The device is configured for the "Pressure" measuring mode as standard. You can switch measuring modes by means of the "Measuring mode" parameter. → [24](#), "Measuring mode selection"
 

The following parameters are set to the following values at the factory:

  - "Level selection" = "In pressure"
  - "Calibration mode": wet
  - "Output unit": %
  - "Empty calib.": 0.0
  - "Full calib.": 100.0
  - "Set LRV": 0.0 (corresponds to 4 mA value)
  - "Set URV": 100.0 (corresponds to 20 mA value)
- Operation must be unlocked. → [21](#), "Locking/unlocking operation".
- The pressure applied must be within the nominal pressure limits of the sensor. See information on the nameplate.

1. Carrying out position adjustment <sup>1</sup>		2. Setting lower range value		3. Setting upper range value	
Pressure is present at device.		Desired pressure for lower pressure value ("empty pressure") is present at device.		Desired pressure for upper pressure value ("full pressure") is present at device.	
↓		↓		↓	
Press the "Zero" and "Span" keys simultaneously for at least 3 s.		Press the "Zero" key for at least 3 s.		Press the "Span" key for at least 3 s.	
↓		↓		↓	
Does the LED on the electronic insert light up briefly?		Does the LED on the electronic insert light up briefly?		Does the LED on the electronic insert light up briefly?	
Yes	No	Yes	No	Yes	No
↓	↓	↓	↓	↓	↓
Applied pressure for position adjustment has been accepted.	Applied pressure for position adjustment has not been accepted. Observe the input limits.	The pressure present was saved as the lower pressure value ("empty pressure") and assigned to the lower level value ("empty calibration").	The pressure present was not saved as the lower pressure value. Observe the input limits.	The pressure present was saved as the upper pressure value ("full pressure") and assigned to the upper level value ("full calibration").	The pressure present was not saved as the upper pressure value. Observe the input limits.

<sup>1</sup> Observe warning on commissioning (→ [22](#)).

## 5.2 Commissioning with operating menu

### 5.2.1 Selecting the language, measuring mode and pressure unit

#### Language selection

Parameter name	Description
<b>Language (000)</b> Selection  Menu path: Main menu → Language	Select the menu language for the local display.  <b>Options:</b> <ul style="list-style-type: none"> <li>• English</li> <li>• Another language (as selected when ordering the device)</li> <li>• Possibly a third language (language of the manufacturing plant)</li> </ul> <b>Factory setting:</b> English

#### Measuring mode selection

Parameter name	Description
<b>Measuring mode (005)</b> Selection  Menu path: Setup → Measuring mode	Select the measuring mode. The operating menu is structured differently depending on the measuring mode selected.  <div style="background-color: #0070C0; color: white; padding: 2px;"><b>NOTICE</b></div> If the measuring mode is changed, no conversion takes place. If necessary, the device has to be recalibrated after the measuring mode has been changed.  <b>Options:</b> <ul style="list-style-type: none"> <li>• Pressure</li> <li>• Level</li> </ul> <b>Factory setting:</b> Pressure

#### Pressure unit selection

Parameter name	Description
<b>Press. eng. unit (125)</b> Selection  Menu path: Setup → Press. eng. unit	Select the pressure unit. If a new pressure unit is selected, all pressure-specific parameters are converted and displayed with the new unit.  <b>Options:</b> <ul style="list-style-type: none"> <li>• mbar, bar</li> <li>• mmH<sub>2</sub>O, mH<sub>2</sub>O, inH<sub>2</sub>O</li> <li>• ftH<sub>2</sub>O</li> <li>• Pa, kPa, MPa</li> <li>• psi</li> <li>• mmHg, inHg</li> <li>• kgf/cm<sup>2</sup></li> </ul> <b>Factory setting:</b> mbar or bar depending on the sensor nominal measuring range, or as per order specifications



### 5.3 Position zero adjustment

The pressure resulting from the orientation of the device can be corrected here.

Parameter name	Description
<p><b>Corrected press. (172)</b> Display</p> <p>Menu path: Setup → Corrected press.</p>	<p>Displays the measured pressure after sensor trim and position adjustment.</p> <p><b>NOTICE</b></p> <p>If this value is not equal to "0", it can be corrected to "0" by the position adjustment.</p>
<p><b>Pos. zero adjust (007)</b> <b>(relative pressure sensor)</b> Selection</p> <p>Menu path: Setup → Pos. zero adjust</p>	<p>Position zero adjustment – the pressure difference between zero (set point) and the measured pressure need not be known.</p> <p><b>Example:</b></p> <ul style="list-style-type: none"> <li>• Measured value = 2.2 mbar (0.033 psi)</li> <li>• You correct the measured value via the "Pos. zero adjust" parameter with the "Confirm" option. This means that you assign the value 0.0 to the pressure present.</li> <li>• Measured value (after pos. zero adjust) = 0.0 mbar</li> <li>• The current value is also corrected.</li> </ul> <p><b>Options</b></p> <ul style="list-style-type: none"> <li>• Confirm</li> <li>• Abort</li> </ul> <p><b>Factory setting:</b> Abort</p>
<p><b>Calib. offset (192)/(008)</b> <b>(absolute pressure sensor)</b> Entry</p>	<p>Position adjustment – the pressure difference between set point and the measured pressure must be known.</p> <p><b>Example:</b></p> <ul style="list-style-type: none"> <li>• Measured value = 982.2 mbar (14.73 psi)</li> <li>• You correct the measured value with the value entered (e. g. 2.2 mbar (0.033 psi)) via the "Calib. offset" parameter. This means that you are assigning the value 980.0 mbar (14.7 psi) to the pressure present.</li> <li>• Measured value (after calib. offset) = 980.0 mbar (14.7 psi)</li> <li>• The current value is also corrected.</li> </ul> <p><b>Factory setting:</b> 0.0</p>

## 5.4 Commissioning of Level measurement

### 5.4.1 Information on level measurement

#### NOTICE

You have a choice of two methods for calculating the level: "In pressure" and "In height". The table in the "Overview of level measurement" section that follows provides you with an overview of these two measuring tasks.

- The limit values are not checked, i. e. the values entered must be appropriate for the sensor and the measuring task for the device to be able to measure correctly.
- Customer-specific units are not possible.
- The values entered for "Empty calib./Full calib.", "Empty pressure/Full pressure", "Empty height/Full height" and "Set LRV/Set URV" must be at least 1 % apart. The value will be rejected, and a message output, if the values are too close together.

### 5.4.2 Overview of level measurement

Measuring task	Level selection	Measured variable options	Description	Measured value display
Calibration takes place by entering two pressure/level value pairs.	"In pressure"	Via the "Output unit" parameter: %, level, volume or mass units.	Calibration with reference pressure (wet calibration), see → 27 Calibration without reference pressure (dry calibration) see → 29	The measured value display and the "Level before lin" parameter display the measured value.
Calibration takes place by entering the density and two height/level value pairs.	"In height"		Calibration with reference pressure (wet calibration), see → 33 Calibration without reference pressure (dry calibration) see → 31	

### 5.4.3 Level selection "in pressure" Calibration with reference pressure (wet calibration)

**Example:**

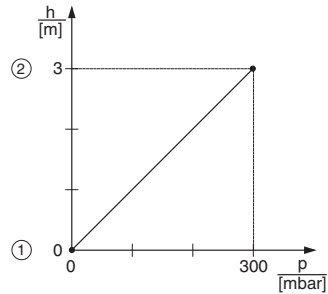
In this example, the level in a tank should be measured in "m". The maximum level is 3 m (9.8 ft). The pressure range is set to 0 mbar to 300 mbar (4.5 psi).

**Prerequisite:**

- The measured variable is in direct proportion to the pressure.
- The tank can be filled and emptied.

**NOTICE** The values entered for "Empty calib./Full calib." and "Set LRV/Set URV" must be at least 1 % apart. The value will be rejected, and a message output, if the values are too close together. Other limit values are not checked, i. e. the values entered must be appropriate for the sensor and the measuring task for the device to be able to measure correctly.

Description	
1	Perform "position zero adjustment → 25.
2	Select the "Level" measuring mode via the "Measuring mode" parameter.  Menu path: Setup → Measuring mode
3	Select a pressure unit via the "Press eng. unit" parameter, here "mbar" for example.  Menu path: Setup → Press. eng. unit
4	Select the "In pressure" level mode via the "Level selection" parameter.  Menu path: Setup → Extended setup → Level → Level selection
5	Select a level unit via the "Output unit" parameter, here "m" for example.  Menu path: Setup → Extended setup → Level → Output unit
6	Select the "Wet" option via the "Calibration mode" parameter.  Menu path: Setup → Extended setup → Level → Calibration mode
7	<ol style="list-style-type: none"> <li>1. The pressure for the lower calibration point is present at the device, here "0 mbar" for example.</li> <li>2. Select the "Empty calib." parameter.</li> <li>3. Enter the level value, here "0 m" for example. Confirming the value means you assign the pressure value present to the lower level value.</li> </ol> Menu path: Setup → Extended setup → Level → Empty calib.



Calibration with reference pressure (wet calibration)

- 1 See Table, Step 7.
- 2 See Table, Step 8.

TDOCT-3001A/ENG 255825 08/2013

Description	
8	<ol style="list-style-type: none"> <li>1. The pressure for the upper calibration point is present at the device, here "300 mbar" (4.5 psi) for example.</li> <li>2. Select the "Full calib." parameter.</li> <li>3. Enter the level value, here "3 m" (9.8 ft) for example. Confirming the value means you assign the pressure value present to the upper level value.</li> </ol> <p>Menu path: Setup → Extended setup → Level → Full calib.</p>
9	<p><b>Result:</b>                      The measuring range is set for 0 m to 3 m (9.8 ft).                      0 m corresponds to an output current of 4 mA.                      3 m (9.8 ft) corresponds to an output current of 20 mA.</p>

### 5.4.4 Level selection "in pressure" Calibration without reference pressure (dry calibration)

**Example:**

In this example, the volume in a tank should be measured in liters. The maximum volume of 1000 liters (264 US gal) corresponds to a pressure of 400 mbar (6 psi). The minimum volume of 0 liters corresponds to a pressure of 0 mbar.

**Prerequisite:**

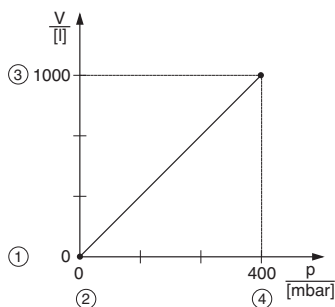
- The measured variable is in direct proportion to the pressure.
- This is a theoretical calibration i. e. the pressure and volume values for the lower and upper calibration point must be known.

**NOTICE** The values entered for "Empty calib./Full calib." and "Set LRV/Set URV" must be at least 1 % apart. The value will be rejected, and a message output, if the values are too close together. Other limit values are not checked, i. e. the values entered must be appropriate for the sensor and the measuring task for the device to be able to measure correctly.

	Description
1	Perform "position zero adjustment → 25.
2	Select the "Level" measuring mode via the "Measuring mode" parameter.  Menu path: Setup → Measuring mode
3	Select a pressure unit via the "Press eng. unit" parameter, here "mbar" for example.  Menu path: Setup → Press. eng. unit
4	Select the "In pressure" level mode via the "Level selection" parameter.  Menu path: Setup → Extended setup → Level → Level selection
5	Select a volume unit via the "Output unit" parameter, here "l" for example.  Menu path: Setup → Extended setup → Level → Output unit
6	Select the "Dry" option via the "Calibration mode" parameter.  Menu path: Setup → Extended setup → Level → Calibration mode

TDOCT-3001AE/ENG 255825 08/2013

Description	
7	<p>Enter the volume value for the lower calibration point via the "Empty calib." parameter, here "0 liter" for example.</p> <p>Menu path: Setup → Extended setup → Level → Empty calib.</p>
8	<p>Enter the pressure value for the lower calibration point via the "Empty pressure" parameter, here "0 mbar" for example.</p> <p>Menu path: Setup → Extended setup → Level → Empty pressure</p>
9	<p>Enter the volume value for the upper calibration point via the "Full calib." parameter, here "1000 liters (264 US gal)" for example.</p> <p>Menu path: Setup → Extended setup → Level → Full calib.</p>
10	<p>Enter the pressure value for the upper calibration point via the "Full pressure" parameter, here "400 mbar (6 psi)" for example.</p> <p>Menu path: Setup → Extended setup → Level → Full pressure</p>
11	<p>Result: The measuring range is set for 0 l to 1000 l (264 US gal). 0 l corresponds to an output current of 4 mA. 1000 l (264 US gal) corresponds to an output current of 20 mA.</p>



Calibration without reference pressure (dry calibration)

- 1 See Table, Step 7.
- 2 See Table, Step 8.
- 3 See Table, Step 9.
- 4 See Table, Step 10.

### 5.4.5 Level selection "in height" Calibration without reference pressure (dry calibration)

**Example:**

In this example, the volume in a tank should be measured in liters. The maximum volume of 1000 liters (264 US gal) corresponds to a level of 4 m (13 ft). The minimum volume of 0 liters corresponds to a height of 0 m. The density of the medium is 1 g/cm<sup>3</sup> (1 SGU).

**Prerequisite:**

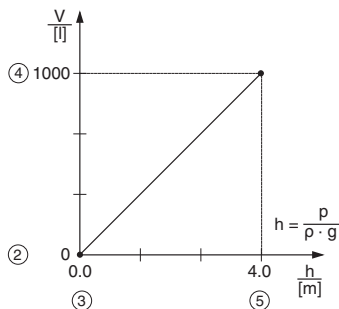
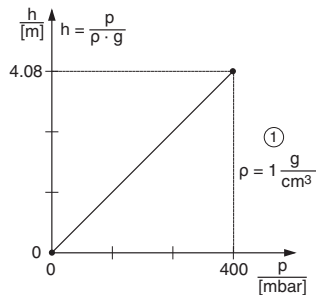
- The measured variable is in direct proportion to the pressure.
- This is a theoretical calibration i. e. the pressure and volume values for the lower and upper calibration point must be known.

**NOTICE** The values entered for "Empty calib./Full calib." and " Set LRV/Set URV" must be at least 1% apart. The value will be rejected, and a message output, if the values are too close together. Other limit values are not checked, i. e. the values entered must be appropriate for the sensor and the measuring task for the device to be able to measure correctly.

	Description
1	Perform "position zero adjustment → 25.
2	Select the "Level" measuring mode via the "Measuring mode" parameter.  Menu path: Setup → Measuring mode
3	Select a pressure unit via the "Press eng. unit" parameter, here "mbar" for example.  Menu path: Setup → Press. eng. unit
4	Select the "In height" level mode via the "Level selection" parameter.  Menu path: Setup → Extended setup → Level → Level selection
5	Select a volume unit via the "Output unit" parameter, here "l" for example.  Menu path: Setup → Extended setup → Level → Output unit
6	Select a height unit via the "Height unit" parameter, here "m" for example.  Menu path: Setup → Extended setup → Level → Height unit
7	Select the "Wet" option via the "Calibration mode" parameter.  Menu path: Setup → Extended setup → Level → Calibration mode

TDOCT-3001AEENG 2558825 08/2013

Description	
8	<p>Enter the height value for the lower calibration point via the "Empty height" parameter, here "0 m" for example.</p> <p>Menu path: Setup → Extended setup → Level → Empty height</p>
9	<p>Enter the volume value for the upper calibration point via the "Full calib." parameter, here "1000 liters (264 US gal)" for example.</p> <p>Menu path: Setup → Extended setup → Level → Full calib.</p>
10	<p>Enter the volume value for the lower calibration point via the "Empty calib." parameter, here "0 liter" for example.</p> <p>Menu path: Setup → Extended setup → Level → Empty calib.</p>
11	<p>Enter the height value for the upper calibration point via the "Full height" parameter, here "4 m" (13 ft) for example.</p> <p>Menu path: Setup → Extended setup → Level → Full height</p>
12	<p>Enter the density of the medium, using the "Adjust density" parameter, here 1 g/cm<sup>3</sup> (1 SGU) for example.</p> <p>Menu path: Setup → Extended setup → Level → Adjust density</p>
13	<p><b>Result:</b> The measuring range is set for 0 l to 1000 l (264 US gal). 0 l corresponds to an output current of 4 mA. 1000 l (264 US gal) corresponds to an output current of 20 mA.</p>



Calibration without reference pressure (dry calibration)

- 1 See Table, Step 12.
- 2 See Table, Step 8.
- 3 See Table, Step 9.
- 4 See Table, Step 10.
- 5 See Table, Step 11.



### 5.4.6 Level selection "in height" Calibration with reference pressure (wet calibration)

**Example:**

In this example, the volume in a tank should be measured in liters. The maximum volume of 1000 liters (264 US gal) corresponds to a level of 4 m (13 ft). The minimum volume of 0 liters corresponds to a height of 0 m. The density of the medium is 1 g/cm<sup>3</sup> (1 SGU).

**Prerequisite:**

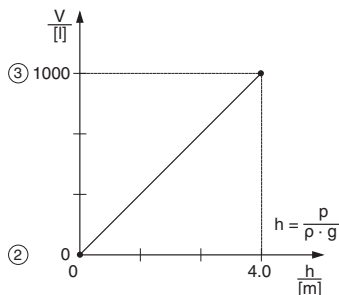
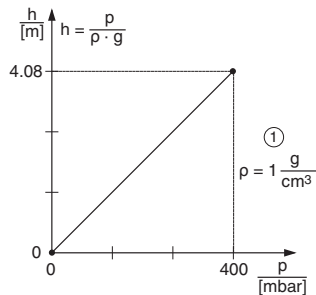
- The measured variable is in direct proportion to the pressure.
- The tank can be filled and emptied.

**NOTICE** The values entered for "Empty calib./Full calib." and "Set LRV/Set URV" must be at least 1 % apart. The value will be rejected, and a message output, if the values are too close together. Other limit values are not checked, i. e. the values entered must be appropriate for the sensor and the measuring task for the device to be able to measure correctly.

	Description
1	Perform "position zero adjustment → 25.
2	Select the "Level" measuring mode via the "Measuring mode" parameter.  Menu path: Setup → Measuring mode
3	Select a pressure unit via the "Press eng. unit" parameter, here "mbar" for example.  Menu path: Setup → Press. eng. unit
4	Select the "In height" level mode via the "Level selection" parameter.  Menu path: Setup → Extended setup → Level → Level selection
5	Select a volume unit via the "Output unit" parameter, here "l" for example.  Menu path: Setup → Extended setup → Level → Output unit
6	Select a height unit via the "Height unit" parameter, here "m" for example.  Menu path: Setup → Extended setup → Level → Height unit
7	Select the "Wet" option via the "Calibration mode" parameter.  Menu path: Setup → Extended setup → Level → Calibration mode

08/2013  
255825  
TDOCT-3001AENG

Description	
8	<p>1. The pressure for the lower calibration point is present at the device, here "0 mbar" for example.</p> <p>2. Select the "Empty calib." parameter.</p> <p>3. Enter the volume value, here "0 l" for example.</p> <p>Menu path: Setup → Extended setup → Level → Empty calib.</p>
9	<p>1. The pressure for the upper calibration point is present at the device, here "400 mbar (6 psi)" for example.</p> <p>2. Select the "Full calib." parameter.</p> <p>3. Enter the volume value, here "1000 l" (264 US gal) for example.</p> <p>Menu path: Setup → Extended setup → Level → Full calib.</p>
10	<p>Enter the density of the medium, using the "Adjust density" parameter, here 1 g/cm<sup>3</sup> (1 SGU) for example.</p> <p>Menu path: Setup → Extended setup → Level → Adjust density</p>
11	<p>If the process uses a medium other than the medium on which the calibration was based, the new density must be specified in the "Process density" parameter.</p> <p>Menu path: Setup → Extended Setup → Level → Density process</p>
12	<p>Result: The measuring range is set for 0 to 1000 l (264 US gal). 0 l corresponds to an output current of 4 mA. 1000 l (264 US gal) corresponds to an output current of 20 mA.</p>



Calibration with reference pressure (wet calibration)

- 1 See Table, Step 10.
- 2 See Table, Step 8.
- 3 See Table, Step 9.

## 5.5 Pressure measurement

### 5.5.1 Calibration without reference pressure (dry calibration)

**Example:**

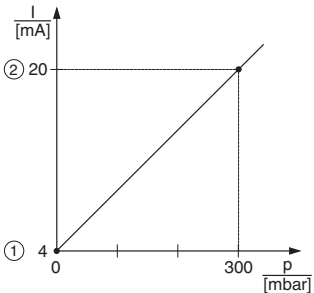
In this example, a device with a 400 mbar (6 psi) sensor is configured for the 0 mbar to +300 mbar (4.5 psi) measuring range, i. e. 0 mbar is assigned to the 4 mA value and 300 mbar (4.5 psi) to the 20 mA value.

**Prerequisite:**

This is a theoretical calibration, i. e. the pressure values for the lower and upper range are known.

**NOTICE** Due to the orientation of the device, there may be pressure shifts in the measured value, i. e. the measured value is not zero in a pressureless condition. For information on how to perform position adjustment, see → 25.

Description	
1	Select the "Pressure" measuring mode via the "Measuring mode" parameter. Menu path: Setup → Measuring mode
2	Select a pressure unit via the "Press eng. unit" parameter, here "mbar" for example. Menu path: Setup → Press. eng. unit
3	Select the "Set LRV" parameter. Menu path: Setup → Set LRV Enter the value for the "Set LRV" parameter (here 0 mbar) and confirm. This pressure value is assigned to the lower current value (4 mA).
4	Select the "Set URV" parameter. Menu path: Setup → Set URV Enter the value for the "Set URV" parameter (here 300 mbar (4.5 psi)) and confirm. This pressure value is assigned to the upper current value (20 mA).
5	Result: The measuring range is configured for 0 mbar to +300 mbar (4.5 psi).



Calibration without reference pressure

- 1 See Table, Step 3.
- 2 See Table, Step 4.

## 5.5.2 Calibration with reference pressure (wet calibration)

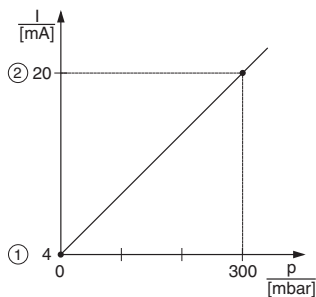
### Example:

In this example, a device with a 400 mbar (6 psi) sensor is configured for the 0 mbar to +300 mbar (4.5 psi) measuring range, i. e. 0 mbar is assigned to the 4 mA value and 300 mbar (4.5 psi) to the 20 mA value.

### Prerequisite:

The pressure values 0 mbar and 300 mbar (4.5 psi) can be specified. The device is already mounted, for example.

Description	
1	Perform "position zero adjustment" → 25.
2	Select the "Pressure" measuring mode via the "Measuring mode" parameter. Menu path: Setup → Measuring mode
3	Select a pressure unit via the "Press eng. unit" parameter, here "mbar" for example. Menu path: Setup → Press. eng. unit
4	The pressure for the lower-range value (4 mA value) is present at the device, here 0 mbar for example. Select the "Get LRV" parameter. Menu path: Setup → Extended setup → Current output → Get LRV. Confirm the value present by selecting "Confirm". The pressure value present is assigned to the lower current value (4 mA).
5	The pressure for the upper-range value (20 mA value) is present at the device, here 300 mbar (4.5 psi) for example. Select the "Get URV" parameter. Menu path: Setup → Extended setup → Current output → Get URV. Confirm the value present by selecting "Confirm". The pressure value present is assigned to the upper current value (20 mA).
6	Result: The measuring range is configured for 0 mbar to +300 mbar (4.5 psi).



Calibration with reference pressure

- 1 See Table, Step 4.
- 2 See Table, Step 5.

## 5.6 Function check

Carry out a post-installation and a post-connection check as per the checklist before commissioning the device.

- ▶ "Post-installation check" → 9
- ▶ "Post-connection check" → 11



TDOCT-3001AENG 2558825 08/2013





TDOCT-3001AENG 2558825 08/2013

# PROCESS AUTOMATION – PROTECTING YOUR PROCESS



## Worldwide Headquarters

Pepperl+Fuchs GmbH  
68307 Mannheim · Germany  
Tel. +49 621 776-0  
E-mail: [info@de.pepperl-fuchs.com](mailto:info@de.pepperl-fuchs.com)

For the Pepperl+Fuchs representative  
closest to you check [www.pepperl-fuchs.com/contact](http://www.pepperl-fuchs.com/contact)

[www.pepperl-fuchs.com](http://www.pepperl-fuchs.com)

Subject to modifications  
Copyright PEPPERL+FUCHS • Printed in Germany



71206951

KA010300/98/EN/14.12  
71206951  
FM7.2



**PEPPERL+FUCHS**  
*PROTECTING YOUR PROCESS*

TDOCT-3001AENG 255825  
08/2013