

Rotary Encoder Accessories

Connectors and Cordsets	1
Synchro Clamping Elements.....	3
Mounting Brackets	3
Couplings	5
Measuring Wheels.....	6
Cable Pulls	7

Connectors and Cordsets

Model Number	Cable Length	Pins	Type	Protection	For Series
V1-G	Connector only*	4	Female	IP67	BVS58/BVM58 BSS58/BSM58
V1-G-YE2M-PVC	2 m, molded				
V1-G-YE5M-PVC	5 m, molded				
V15-G	Connector only*	5	Female	IP67	EVS58/EVM58, ESS58/ESM58 PVS58/PVM58, PSS58/PSM58 CVS36M/CVM36M, CSS36M/CSM36M
V15-G-YE2M-PVC	2 m, molded				
V15-G-YE5M-PVC	5 m, molded				
V19S-G-ABG-PG9	Connector only*	8	Female	IP67	ASS36M/ASM36M
V19-G-2M-PUR ABG	2 m, molded				
V19-G-3M-PUR ABG	3 m, molded				
42306A	Connector only*	5	Female	IP67	RVI50 (type AL) RVI78 (type AL)
42306A-02M-05P-RVI50/78	2 m, molded				
42306A-05M-05P-RVI50/78	5 m, molded				
42306B	Connector only*	5	Right-angle Female	IP67	RVI50 (type AL) RVI78 (type AL)
42306B-02M-05P-RVI50/78	2 m				
42306B-05M-05P-RVI50/78	5 m				
42306C	Connector only*	5	Male	IP67	Mating connector for 42306
MS3106A16S-1S	Connector only*	7	Female	IP67	RVI25 (type AR)
MS16-10FT	10 ft				
MS16-20FT	20 ft				
MS3106A18-1S	Connector only*	10	Female	IP67	RVI25 (type AS)
MS18-10FT	10 ft				
MS18-20FT	20 ft				
9416	Connector only*	12	Female	IP68	RVI58 (type AA), RSI58 (type AA) RVI25 (type AA), RHI90 (type AA) RVS58 (type AA)
9416-02M-12P-RXI58	2 m				
9416-03M-12P-RXI58	3 m				
9416	Connector only*	12	Female	IP68	RVI50 (typeAA)
9416-02M-12P-RVI50	2 m				
9416-05M-12P-RVI50	5 m				
9416	Connector only*	12	Female	IP68	AVS58/AVM58 (typeAA) ASS58/AVS58 (type AA)
9416-03M-12P-AVM	3 m				
9416-05M-12P-AVM	5 m				
9416L	Connector only*	12	Female	IP68	RVI58 (type AB), RSI58 (type AB) RVI25 (type AB), RHI90 (type AB) RVS58 (type AB)
9416L-02M-12P-RXI58	2 m				
9416L-05M-12P-RXI58	5 m				
9416L	Connector only*	12	Female	IP68	AVS58/AVM58 (typeAB) ASS58/AVS58 (type AB)
9416L-05M-12P-AXX	5 m				
9416C	Connector only*	12	Male	IP68	Mating connector for 9416
9424	Connector only*	19	Female	IP67	FVS58/FSS58 (type AD)
9424-03M-24P-FXS	3 m				
9424-05M-24P-FXS	5 m				
9426	Connector only*	26	Female	IP67	FVM58/FSM58 (type AE)
9426-02M-32P-FVM	2 m				
9426-05M-32P-FVM	5 m				
9426C	Connector only*	26	Male	IP67	Mating connector for 9426

* Field-attachable connector—cable provided by customer.

Rotary Encoder Accessories

Connectors and Cordsets



V1-G



V1-G-Y...
V15-G-Y...



V19
V19S



42306A



42306B



42306C



MS16



MS18



9416, 9416L



9416C



9424



9426



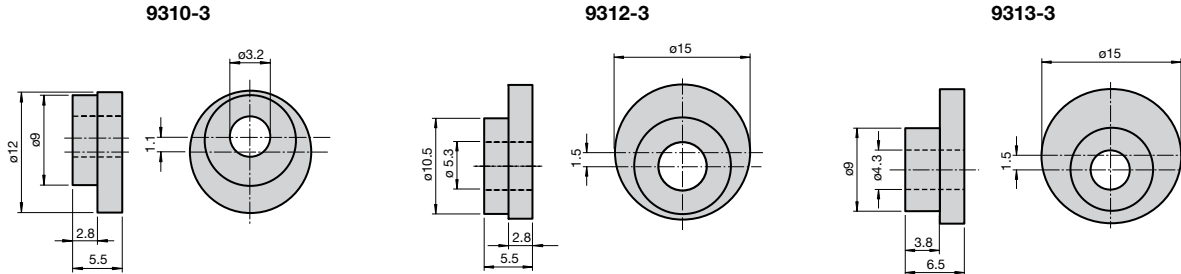
9426C

Synchro Clamping Elements (set of three)

Dimensions in mm

Model Number	For Series
9310-3	AV*58, BV*58, CV*58, DV*58, EV*58, FV*58, PV*58, RVI58, TVI58
9312-3	RVI50, RVI78, RVI84
9313-3	RVI50

* S for single turn, M for multiturn

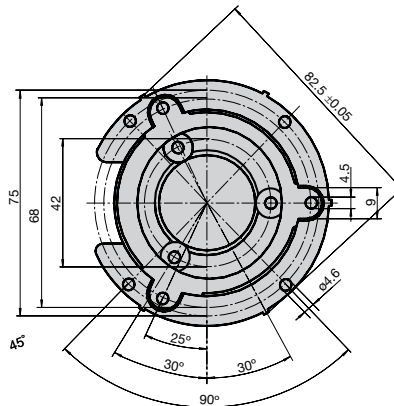
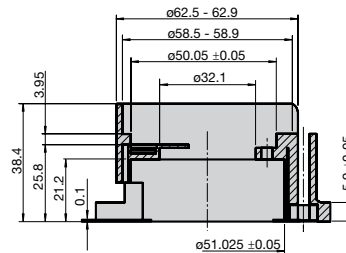


Mounting Brackets

Mounting Bracket for Servo Flange

Model Number	For Series
9300	AV*58, BV*58, CV*58, DV*58, EV*58, FV*58, PV*58, RVI58, TVI58

* S for single turn, M for multiturn



Mounting Set for Bracket 9300

Model Number	For Series
9311	AV*58, BV*58, CV*58, DV*58, EV*58, FV*58, PV*58, RVI58, TVI58

* S for single turn, M for multiturn



9311

CONTINUED

Rotary Encoder Accessories

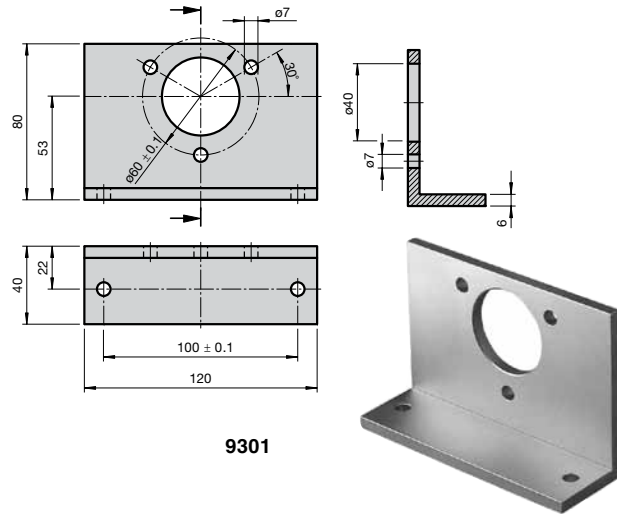
Mounting Brackets (cont.)

Mounting Bracket for Clamping Flange

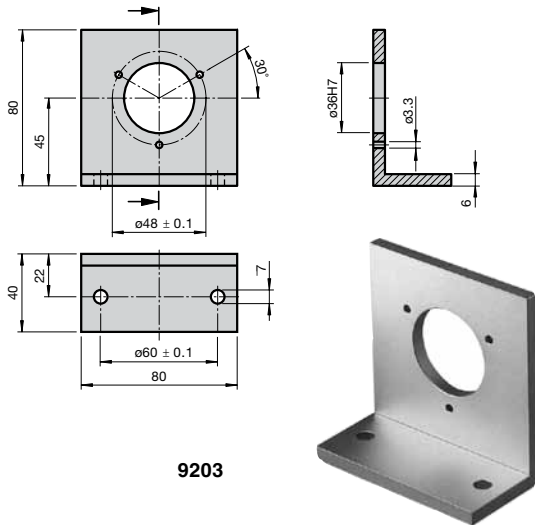
Dimensions in mm

Model Number	For Series
9301	30
9203	AV*58, BV*58, CV*58, DV*58, EV*58, FV*58, PV*58, RVI58, TVI58
9213	AV*58, BV*58, CV*58, DV*58, EV*58, FV*58, PV*58, RVI58, TVI58
9250	RVI50, TVI50
9278	RVI78

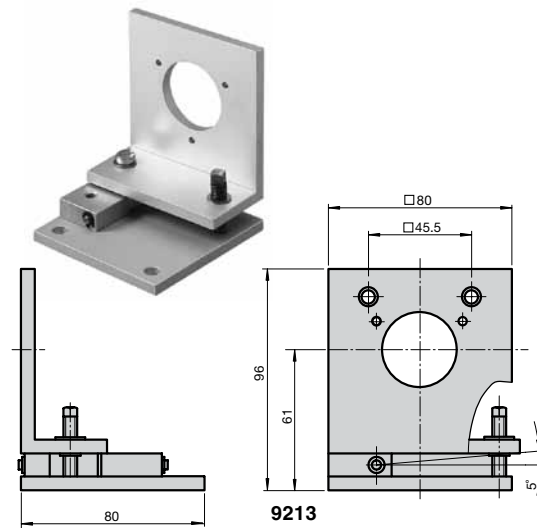
* S for single turn, M for multiturn



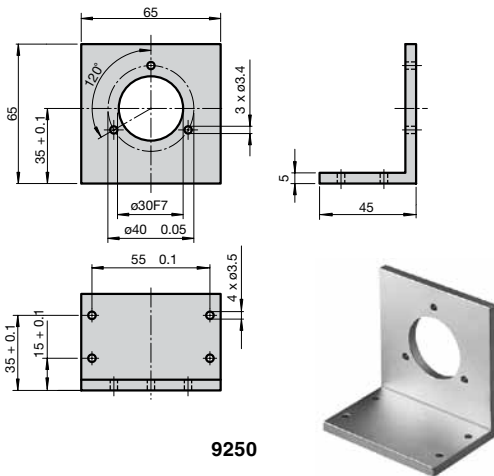
9301



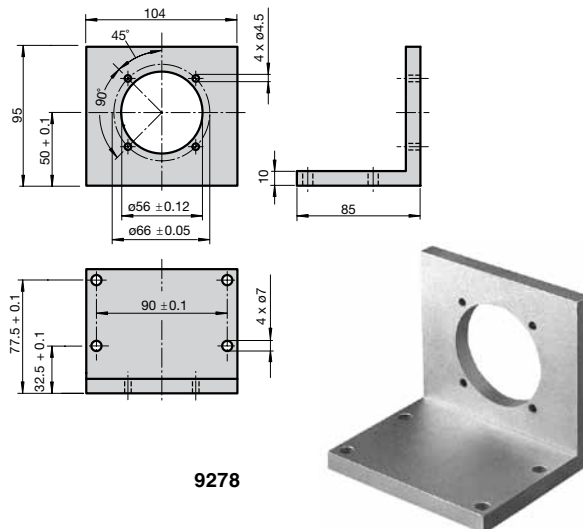
9203



9213



9250



9278

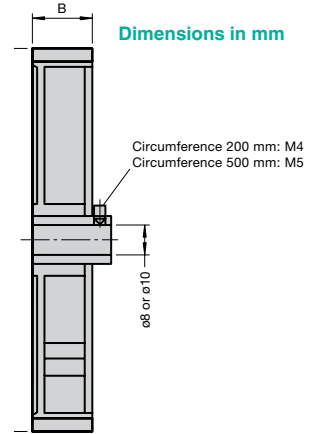
Rotary Encoder Accessories

Measuring Wheels

Measuring wheels attach directly to the encoder's shaft using setscrews and are designed to roll along the surface of moving objects. As material moves beneath the wheel, the wheel turns the encoder shaft. A larger wheel will provide higher resolution. All Pepperl+Fuchs' measuring wheels are designed to mount on a standard 8 mm or 10 mm diameter shaft.

Model Number		Material	Circumference	Ø D	Width B
8 mm shaft	10 mm shaft				
9101, 8	9101, 10	Hytrel®			
9102, 8	9102, 10	Dimpled rubber Nitril (NBR)	500 mm	159 mm	25 mm
9103, 8	9103, 10	Knurled aluminum			
9112, 8	9112, 10	Knurled Hytrel			
9108, 8	9108, 10	Hytrel			
9109, 8	9109, 10	Dimpled rubber Nitril (NBR)	200 mm	64 mm	12 mm
9110, 8	9110, 10	Knurled aluminum			
9113, 8	9113, 10	Knurled Hytrel			

Hytrel® is a registered trademark of E. I. du Pont de Nemours and Company



Cable Pulls

Cable pulls enable a rotary encoder to measure linear motion by providing a cable that is pulled in a straight line by the application. Internally, the cable is wrapped around a spring-loaded drum that turns the shaft when the cable is extended. A standard 58 mm diameter encoder mounts to the adapter with synchro mounting elements. Different lengths are available for a variety of applications.

Technical data

Model Number	SL3001-X1/ GS80-200	SL3002-X1/ GS80-200	SL3003-X1/ GS80-200	SL3005-X1/ GS130-333	SL3010-X1/ GS130-333	SL3015-X1/ GS130-333	SL3020-X1/ GS130-333
General Specifications							
Measuring range (cable length)	1 m	2 m	3 m	5 m	10 m	15 m	20 m
Maximum travel speed	8 m/s	8 m/s	8 m/s	10 m/s	8 m/s	7 m/s	4 m/s
Acceleration	40 m/s ²	40 m/s ²	40 m/s ²	70 m/s ²	40 m/s ²	30 m/s ²	30 m/s ²
Drum circumference	200 mm	200 mm	200 mm	333 mm	333 mm	333 mm	333 mm
Linearity error (typical)	0.1% / 0.5%	0.1% / 0.5%	0.1% / 0.5%	0.1% / 0.5%	0.1% / 0.5%	0.1% / 0.5%	0.1% / 0.5%
Encoder resolution	200 mm /	200 mm /	200 mm /	333 mm /	333 mm /	333 mm /	333 mm /
Ambient Conditions							
Shock resistance	25 g	25 g	25 g	25 g	25 g	25 g	25 g
Mechanical Specifications							
Cable diameter	1.35 mm	1.35 mm	1.35 mm	1.35 mm	1.35 mm	1.35 mm	1.35 mm
Tension force on cable	5-9 N	5-12 N	5-15 N	10-21 N	10-21 N	10-21 N	10-21 N
Lifetime	106 cycles	106 cycles	106 cycles	106 cycles	106 cycles	106 cycles	106 cycles
Weight	2 lbs	2.6 lbs	3.3 lbs	5.5 lbs	7.7 lbs	11.0 lbs	11.0 lbs

Order Code

SL30 -X /GS - - - -

Measuring range*

01 1 m
02 2 m
03 3 m
05 5 m
10 10 m
15 15 m
20 20 m

*01, 02, 03 — Housing dimension: 80, drum circumference: 200 mm

05, 10, 15, 20 — Housing dimension: 130, drum circumference: 333 mm

Housing dimensions

80 80 mm
130 130 mm

Drum circumference

200 200 mm
333 333 mm

Shaft dimension / flange version

1 Solid shaft Ø 6 mm x 10 mm / servo flange
2 Solid shaft Ø 10 mm x 20 mm / clamping flange

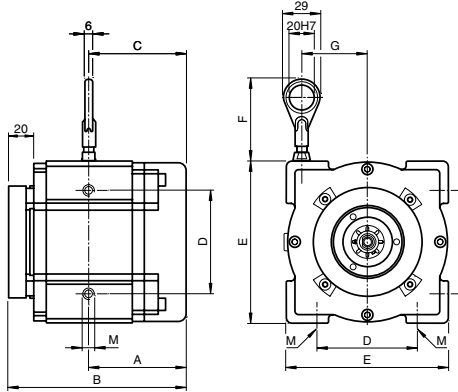
Example: SL3001-X1/GS80-200

CONTINUED

Rotary Encoder Accessories

Cable Pulls (cont.)

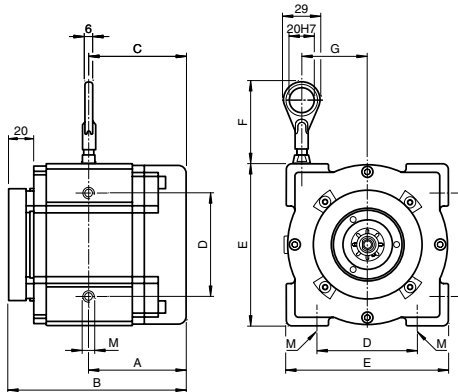
SL3001



A	34 mm
B	77 mm
C	34 mm
D	50 mm
E	80 mm
F	approx. 60 mm
G	31.5 mm
M	M6 x 7



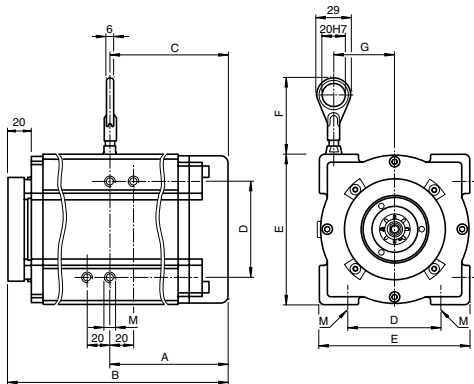
SL3002



A	41.5 mm
B	92 mm
C	41.5 mm
D	50 mm
E	80 mm
F	approx. 60 mm
G	31.5 mm
M	M6 x 7



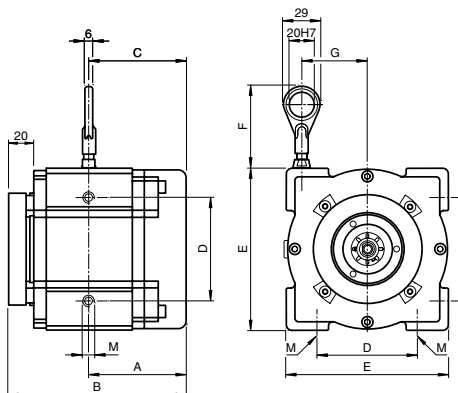
SL3003



A	60 mm
B	118 mm
C	60 mm
D	50 mm
E	80 mm
F	approx. 60 mm
G	31.5 mm
M	M6 x 7



SL3005



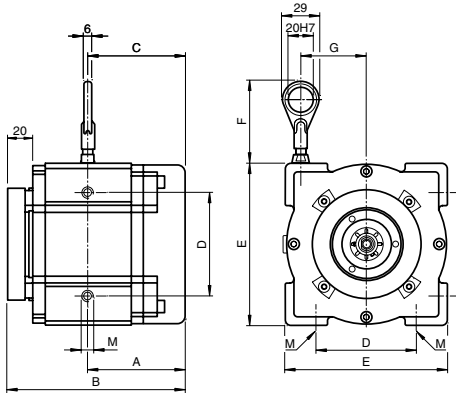
A	77.2 mm
B	141.3 mm
C	77.2 mm
D	80 mm
E	130 mm
F	approx. 60 mm
G	52 mm
M	M8 x 8



CONTINUED

Cable Pulls (cont.)

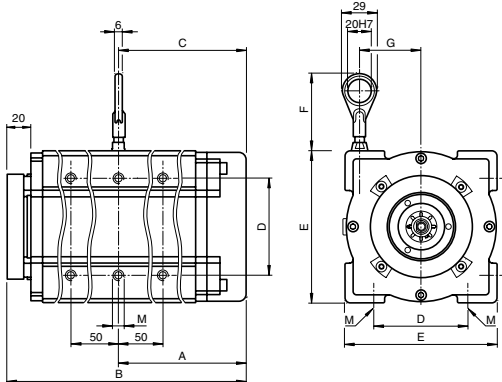
SL3010



A	99.6 mm
B	186.3 mm
C	99.6 mm
D	80 mm
E	130 mm
F	approx. 60 mm
G	52 mm
M	M8 x 8



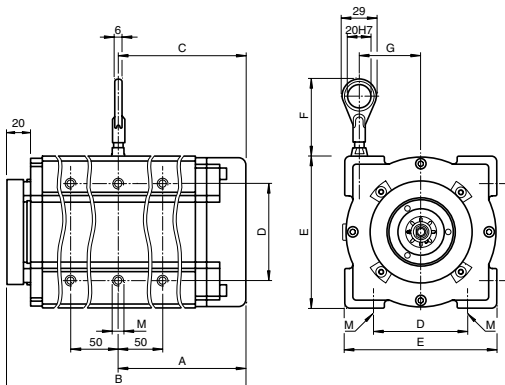
SL3015



A	146.2 mm
B	256 mm
C	146.2 mm
D	80 mm
E	130 mm
F	approx. 60 mm
G	52 mm
M	M8 x 8



SL3020



A	168.9 mm
B	301 mm
C	99.6 mm
D	80 mm
E	130 mm
F	approx. 60 mm
G	52 mm
M	M8 x 8

