

**Features**

- 1-channel signal conditioner
- 24 V DC supply (Power Rail)
- Input 2-wire and 3-wire SMART transmitters and 2-wire SMART current sources
- Signal splitter (1 input and 2 outputs)
- Dual output 0/4 mA ... 20 mA
- Terminal blocks with test sockets
- Up to SIL3 acc. to IEC 61508

**Function**

This signal conditioner provides the isolation for non-intrinsically safe applications.

The device supplies 2-wire and 3-wire SMART transmitters, and can also be used with 2-wire SMART current sources.

It transfers the analog input signal as two isolated current values.

Digital signals may be superimposed on the input or the output signals and are transferred bi-directionally.

It is designed to provide sink mode outputs.

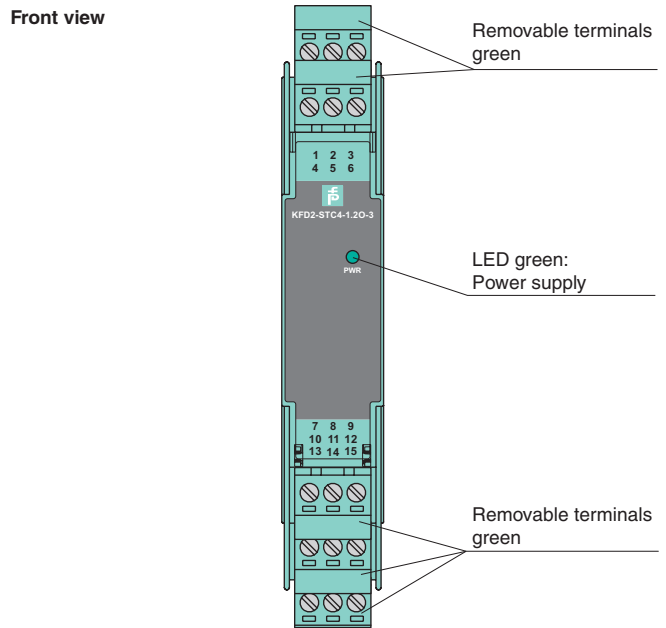
If the HART communication resistance in the loop is too low, the internal resistance of 250 Ω between terminals 8, 9 and 11, 12 can be used.

Test sockets for the connection of HART communicators are integrated into the terminals of the device.

**Application**

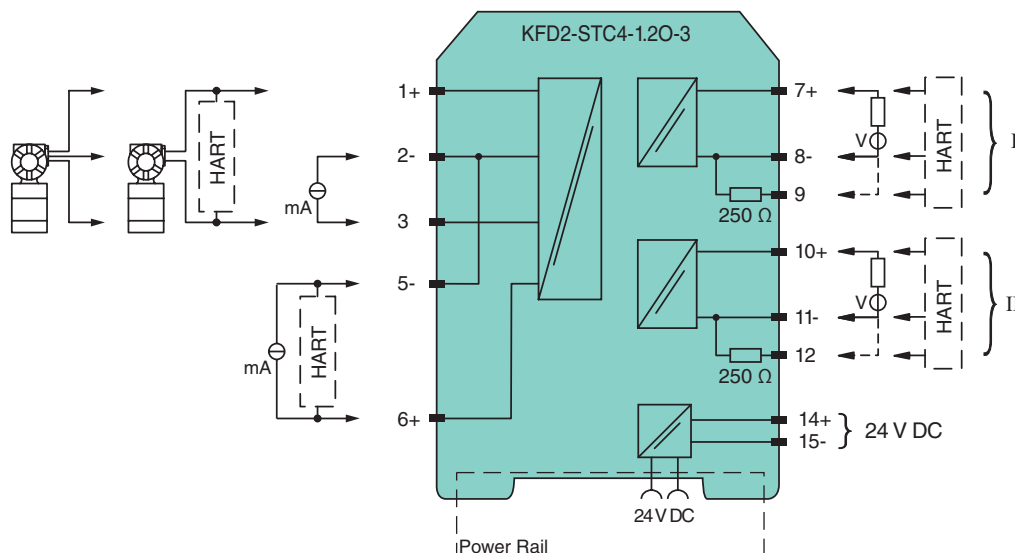
- The device supports the following SMART protocols:
- HART
  - BRAIN
  - Foxboro

**Assembly**



**SIL 3**

**Connection**



Release date 2017-08-09 14:35 Date of issue 2017-08-09 228751\_eng.xml

Refer to "General Notes Relating to Pepperl+Fuchs Product Information".

<b>General specifications</b>	
Signal type	Analog input
<b>Functional safety related parameters</b>	
Safety Integrity Level (SIL)	SIL 3
<b>Supply</b>	
Connection	Power Rail or terminals 14+, 15-
Rated voltage $U_r$	20 ... 35 V DC
Ripple	within the supply tolerance
Power dissipation	1.8 W
Power consumption	2.4 W
<b>Input</b>	
Connection side	field side
Connection	terminals 1+, 2-, 3 or 5-, 6+
Input signal	0/4 ... 20 mA
Open circuit voltage/short-circuit current	terminals 1+, 3-: 22.7 V / 38 mA
Voltage drop	terminals 5, 6 : $\leq 2.4$ V at 20 mA
Input resistance	terminals 2-, 3: $\leq 76 \Omega$ terminals 1+, 3: $\leq 500 \Omega$ (250 $\Omega$ load)
Available voltage	terminals 1+, 3: $\geq 16$ V at 20 mA
<b>Output</b>	
Connection side	control side
Connection	terminals 7+, 8-; 10+, 11-
Output signal	0/4 ... 20 mA (overload > 25 mA)
Ripple	$\leq 50 \mu A_{rms}$
External supply (loop)	11 ... 30 V DC
<b>Transfer characteristics</b>	
Deviation	at 20 °C (68 °F), 0/4 ... 20 mA $\leq 10 \mu A$ incl. calibration, linearity, hysteresis, loads and fluctuations of supply voltage
Influence of ambient temperature	0.25 $\mu A/K$
Frequency range	input to output: bandwidth with 0.5 $V_{pp}$ signal 0 ... 7.5 kHz (-3 dB) output to input: bandwidth with 0.5 $V_{pp}$ signal 0.3 ... 7.5 kHz (-3 dB)
Settling time	200 $\mu s$
Rise time/fall time	20 $\mu s$
<b>Galvanic isolation</b>	
Input/Output	basic insulation according to IEC 61010-1, rated insulation voltage 300 $V_{eff}$
Input/power supply	basic insulation according to IEC 61010-1, rated insulation voltage 300 $V_{eff}$
Output/power supply	functional insulation, rated insulation voltage 50 V AC
Output/Output	functional insulation, rated insulation voltage 50 V AC
<b>Indicators/settings</b>	
Display elements	LED
Labeling	space for labeling at the front
<b>Directive conformity</b>	
Electromagnetic compatibility	
Directive 2014/30/EU	EN 61326-1:2013 (industrial locations)
<b>Conformity</b>	
Electromagnetic compatibility	NE 21:2011
Degree of protection	IEC 60529:2001
Protection against electrical shock	EN 61010-1:2010
<b>Ambient conditions</b>	
Ambient temperature	-20 ... 60 °C (-4 ... 140 °F)
<b>Mechanical specifications</b>	
Degree of protection	IP20
Connection	screw terminals
Mass	approx. 200 g
Dimensions	20 x 124 x 115 mm (0.8 x 4.9 x 4.5 inch) , housing type B2
Mounting	on 35 mm DIN mounting rail acc. to EN 60715:2001
<b>General information</b>	
Note	Both output loads must be connected to ensure complete and correct operation within the technical specification.
Supplementary information	Observe the certificates, declarations of conformity, instruction manuals, and manuals where applicable. For information see <a href="http://www.pepperl-fuchs.com">www.pepperl-fuchs.com</a> .

### Configuration passive output (sink)

If only one output of the two outputs is used, a jumper have to be set as follows.

Release date 2017-08-09 14:35 Date of issue 2017-08-09 228751\_eng.xml

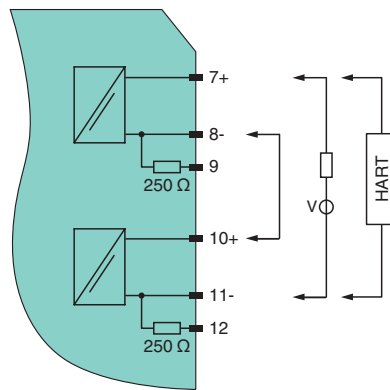
Refer to "General Notes Relating to Pepperl+Fuchs Product Information".

Pepperl+Fuchs Group  
www.pepperl-fuchs.com

USA: +1 330 486 0002  
pa-info@us.pepperl-fuchs.com

Germany: +49 621 776 2222  
pa-info@de.pepperl-fuchs.com

Singapore: +65 6779 9091  
pa-info@sg.pepperl-fuchs.com



## Accessories

### Power feed module KFD2-EB2

The power feed module is used to supply the devices with 24 V DC via the Power Rail. The fuse-protected power feed module can supply up to 150 individual devices depending on the power consumption of the devices. Collective error messages received from the Power Rail activate a galvanically-isolated mechanical contact.

### Power Rail UPR-03

The Power Rail UPR-03 is a complete unit consisting of the electrical insert and an aluminium profile rail 35 mm x 15 mm. To make electrical contact, the devices are simply engaged.

### Profile Rail K-DUCT with Power Rail

The profile rail K-DUCT is an aluminum profile rail with Power Rail insert and two integral cable ducts for system and field cables. Due to this assembly no additional cable guides are necessary.



*Power Rail and Profile Rail must not be fed via the device terminals of the individual devices!*