



Model number

PSCAN-M*

Features

- Approved for Zone 1 (ATEX)
- Reliable reads damaged and dirty barcodes using the patented Puzzle Solve™ technology
- Functional reliability guaranteed after fall from 2 m
- All standard barcode families supported
- Aiming system with a red spot for safety reading

Function

PScan-M is the wireless barcode reader of the barcode reader family PowerScan. The barcode reading system comprises the barcode reader, the base station PScan-B and the charger PScan-C.

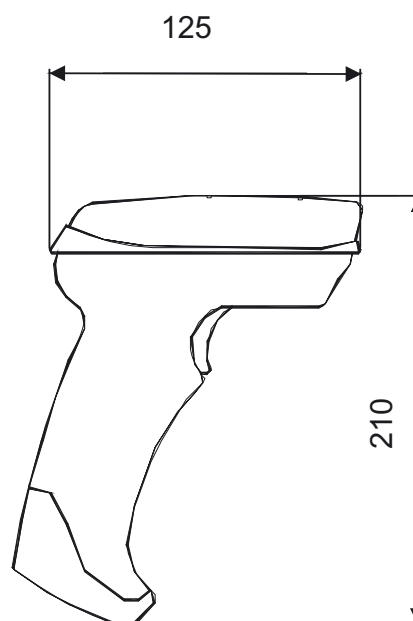
The wireless barcode reading system is suitable for use in hazardous areas that corresponds to Zone 1 (ATEX) in operating data acquisition or logistics applications.

PScan-M in combination with the base station PScan-B can be used as standalone-system as well as in combination with VisuNet operator stations or TERMEX operator panels in hazardous areas.

Technical Data

General specifications	
Radio distance (in open air)	max. 50 m
Light type	laser diode 630 ... 680 nm
Readable codes	2/5 Family, Code 39, (plus Code 32, Clip 39), EAN/UPC, EAN 128, Code 128, Code 93, CODABAR, Code 49, Code MSI, Code 11, Code 16K, ISBN/ISSN, ISBT 128, GS1DataBar™ (once RSS)
Laser class	Class 2 - EN 60825-1, CDRH
Scan rate	30 ... 40 s ⁻¹
Beam deviation angle	max. 42 °
Read distance	60 ... 1100 mm
Resolution	0.076 mm (3 mils)
Electrical specifications	
Battery type	NiMH battery
Charging time	max. 3 h
Directive conformity	
Electromagnetic compatibility	
R&TTE-Directive 1999/5/EC	ETSI EN 301489-1-V1.8.1:2008
Explosion protection	
Directive 94/9/EC	EN 60079-0:2009, EN 60079-11:2007, EN 60079-28:2007
Ambient conditions	
Operating temperature	-10 ... 40 °C (14 ... 104 °F)
Storage temperature	-10 ... 40 °C (14 ... 104 °F)
Relative humidity	90 % , noncondensing
Mechanical specifications	
Protection degree	IP44
Mass	460 g
Dimensions	125 mm x 70 mm x 210 mm
Data for application in connection with Ex-areas	
EC-Type Examination Certificate	BVS 10 ATEX E 146
Group, category, type of protection	⊕ II 2G Ex ib [op is] IIB T4 Gb
Maximum safe voltage (charge contacts) U _m	8 V

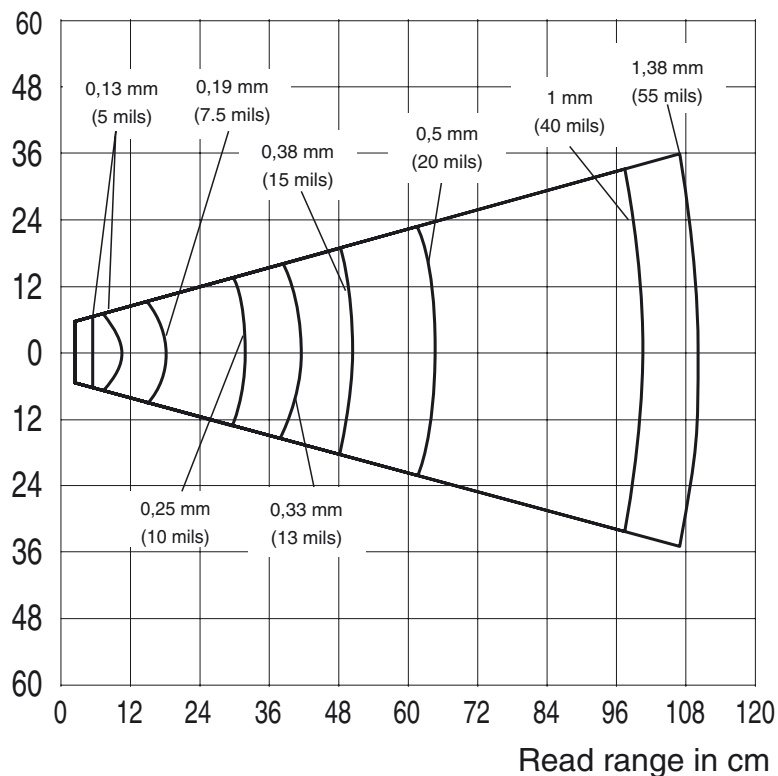
Dimensions



Curves/diagrams

Reading characteristics

Read field width in cm



Ordering information

Model number	Description
PSCAN-M-1V-C2-EU-10-N	Radio Barcode Reader Linear with display ATEX II 2G, Ex ib [opis] IIB T4 Gb 433 MHz Europe Version 1.0 No options