

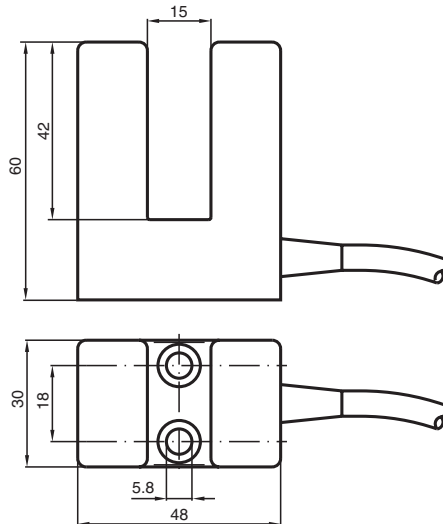
## Inductive slot sensor

### SJ15-A2

- 15 mm slot width
- 4-wire DC



## Dimensions



## Technical Data

### General specifications

Switching function	complementary
Output type	PNP
Slot width	15 mm
Depth of immersion (lateral)	17 ... 20 mm
Output polarity	DC
Output type	4-wire

### Nominal ratings

Nominal voltage	$U_o$	8 V
Operating voltage	$U_B$	10 ... 30 V DC
Switching frequency	$f$	0 ... 500 Hz
Reverse polarity protection		reverse polarity protected
Short-circuit protection		pulsing
Voltage drop	$U_d$	$\leq 3$ V
Operating current	$I_L$	0 ... 200 mA
No-load supply current	$I_0$	$\leq 20$ mA

Release date: 2024-01-08 Date of issue: 2024-01-08 Filename: 003795\_eng.pdf

Refer to "General Notes Relating to Pepperl+Fuchs Product Information".

Pepperl+Fuchs Group  
www.pepperl-fuchs.com

USA: +1 330 486 0001  
fa-info@us.pepperl-fuchs.com

Germany: +49 621 776 1111  
fa-info@de.pepperl-fuchs.com

Singapore: +65 6779 9091  
fa-info@sg.pepperl-fuchs.com

PEPPERL+FUCHS

## Technical Data

### Compliance with standards and directives

#### Standard conformity

Standards	EN 60947-5-2:2007 EN 60947-5-2/A1:2012 IEC 60947-5-2:2007 IEC 60947-5-2 AMD 1:2012
-----------	---

### Approvals and certificates

UL approval	cULus Listed, General Purpose
CCC approval	CCC approval / marking not required for products rated ≤36 V

### Ambient conditions

Ambient temperature	-25 ... 70 °C (-13 ... 158 °F)
---------------------	--------------------------------

### Mechanical specifications

Connection type	cable	
Housing material	PBT	
Degree of protection	IP67	
Cable		
Wire end ferrules	yes	
Cable diameter	6.8 mm ± 0.2 mm	
Bending radius	> 10 x cable diameter	
Material	PVC	
Color	Gray	
Number of cores	4	
Core cross section	0.75 mm <sup>2</sup>	
Length	L	2 m
Mass	245 g	
Dimensions		
Height	60 mm	
Width	30 mm	
Length	48 mm	

## Connection

