

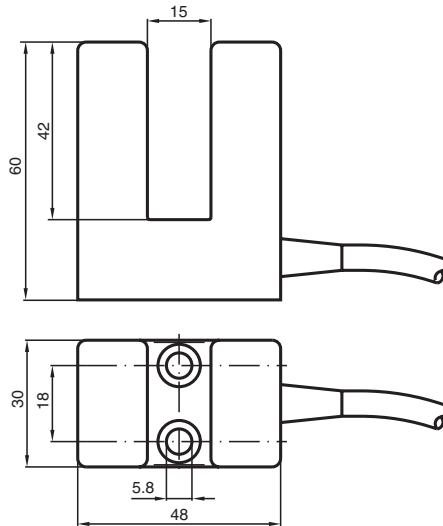
# Inductive slot sensor

## SJ15-WS

- 15 mm slot width
- 2-wire AC



### Dimensions



### Technical Data

General specifications			
Switching function			Normally open (NO)
Output type			Two-wire
Slot width			15 mm
Depth of immersion (lateral)			18.5 ... 20.5 mm
Output polarity			AC
Output type			2-wire
Nominal ratings			
Operating voltage	$U_B$		20 ... 253 V AC
Switching frequency	$f$		0 ... 25 Hz
Hysteresis	$H$		typ. 5%
Voltage drop	$U_d$		Typ. 4 V at 40 ... 500 mA load current Typ. 5 V at 15 ... 40 mA load current Typ. 7 V at 5 ... 15 mA load current
Voltage drop at $I_L$			
Voltage drop $I_L = 200$ mA, switching element on	$U_d$		3.5 V

Release date: 2023-09-12 Date of issue: 2023-09-12 Filename: 003798\_eng.pdf

Refer to "General Notes Relating to Pepperl+Fuchs Product Information".

Pepperl+Fuchs Group  
www.pepperl-fuchs.com

USA: +1 330 486 0001  
fa-info@us.pepperl-fuchs.com

Germany: +49 621 776 1111  
fa-info@de.pepperl-fuchs.com

Singapore: +65 6779 9091  
fa-info@sg.pepperl-fuchs.com

**PF** PEPPERL+FUCHS

## Technical Data

Momentary current (20 ms, 0.1 Hz)		max. 4000 mA
Operating current	$I_L$	5 ... 500 mA
Off-state current	$I_r$	≤ 2 mA
<b>Functional safety related parameters</b>		
MTTF <sub>d</sub>		1553 a
Mission Time (T <sub>M</sub> )		20 a
Diagnostic Coverage (DC)		0 %
<b>Compliance with standards and directives</b>		
Standard conformity		
Standards		EN 60947-5-2:2007 EN 60947-5-2/A1:2012 IEC 60947-5-2:2007 IEC 60947-5-2 AMD 1:2012
<b>Approvals and certificates</b>		
UL approval		cULus Listed, General Purpose
CCC approval		Certified by China Compulsory Certification (CCC)
<b>Ambient conditions</b>		
Ambient temperature		-25 ... 70 °C (-13 ... 158 °F)
<b>Mechanical specifications</b>		
Connection type		cable PVC , 2 m
Core cross section		0.75 mm <sup>2</sup>
Housing material		PBT
Degree of protection		IP67
Note		<sup>1)</sup> In the temperature range below 0 °C, permissible operating voltage U <sub>b</sub> 80...253 V Safety fuse ≤ 2 A (quick-blow) according to IEC 60127-2 Sheet 1 Recommendation: after a short circuit, check that the device is functioning correctly.

## Connection

