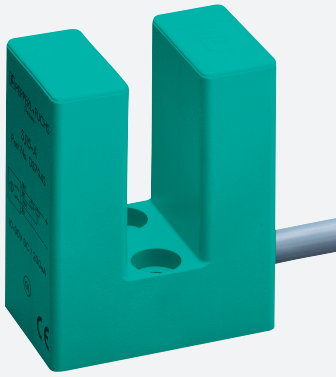


Inductive slot sensor

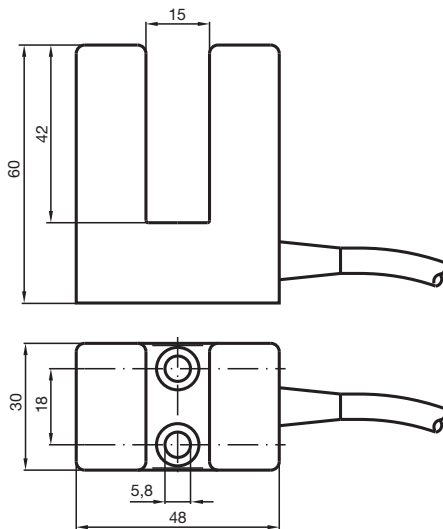
SJ15-WO



- 15 mm slot width
- 2-wire AC



Dimensions



Technical Data

General specifications

Switching function	Normally closed (NC)
Output type	Two-wire
Slot width	15 mm
Depth of immersion (lateral)	18.5 ... 20.5 mm
Output polarity	AC
Output type	2-wire

Nominal ratings

Operating voltage	U_B	20 ... 253 V AC
Switching frequency	f	0 ... 25 Hz
Hysteresis	H	typ. 5%
Voltage drop	U_d	Typ. 4 V at 40 ... 500 mA load current Typ. 5 V at 15 ... 40 mA load current Typ. 7 V at 5 ... 15 mA load current
Voltage drop at I_L		

Release date: 2020-12-10 Date of issue: 2020-12-10 Filename: 003799_eng.pdf

Refer to "General Notes Relating to Pepperl+Fuchs Product Information".

Pepperl+Fuchs Group
www.pepperl-fuchs.com

USA: +1 330 486 0001
fa-info@us.pepperl-fuchs.com

Germany: +49 621 776 1111
fa-info@de.pepperl-fuchs.com

Singapore: +65 6779 9091
fa-info@sg.pepperl-fuchs.com

PEPPERL+FUCHS

Technical Data

Voltage drop $I_L = 200 \text{ mA}$, switching element on	U_d	3.5 V
Momentary current (20 ms, 0.1 Hz)		max. 4000 mA
Operating current	I_L	5 ... 500 mA
Off-state current	I_r	$\leq 2 \text{ mA}$
Functional safety related parameters		
MTTF _d		1507 a
Mission Time (T_M)		20 a
Diagnostic Coverage (DC)		0 %
Compliance with standards and directives		
Standard conformity		
Standards		EN 60947-5-2:2007 EN 60947-5-2/A1:2012 IEC 60947-5-2:2007 IEC 60947-5-2 AMD 1:2012
Approvals and certificates		
UL approval		cULus Listed, General Purpose
CSA approval		cCSAus Listed, General Purpose
CCC approval		Certified by China Compulsory Certification (CCC)
Ambient conditions		
Ambient temperature		-25 ... 70 °C (-13 ... 158 °F)
Mechanical specifications		
Connection type		cable PVC , 2 m
Core cross-section		0.75 mm ²
Housing material		PBT
Degree of protection		IP67
Note		¹⁾ In the temperature range below 0 °C, permissible operating voltage U_b 80...253 V Safety fuse $\leq 2 \text{ A}$ (quick-blow) according to IEC 60127-2 Sheet 1 Recommendation: after a short circuit, check that the device is functioning correctly.

Connection

