

Inductive sensor

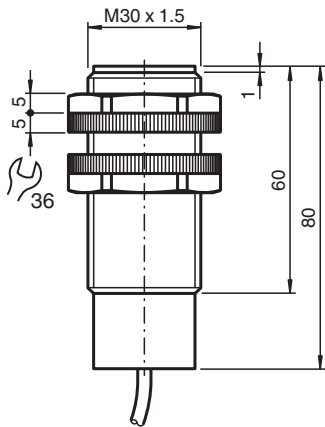
NJ10-30GK-E2-T



- Temperature range
-25 ... 100 °C (-13 ... 212 °F)
- 10 mm flush



Dimensions



Technical Data

| General specifications | | |
|-----------------------------|-------|----------------------------|
| Switching function | | Normally open (NO) |
| Output type | | PNP |
| Rated operating distance | s_n | 10 mm |
| Installation | | flush |
| Output polarity | | DC |
| Assured operating distance | s_a | 0 ... 8.1 mm |
| Reduction factor r_{Al} | | 0.4 |
| Reduction factor r_{Cu} | | 0.3 |
| Reduction factor r_{304} | | 0.85 |
| Output type | | 3-wire |
| Nominal ratings | | |
| Operating voltage | U_B | 10 ... 30 V |
| Switching frequency | f | 0 ... 300 Hz |
| Hysteresis | H | 0 ... 10 typ. % |
| Reverse polarity protection | | reverse polarity protected |
| Short-circuit protection | | pulsing |

Release date: 2023-12-08 Date of issue: 2023-12-08 Filename: 006723_eng.pdf

Refer to "General Notes Relating to Pepperl+Fuchs Product Information".

Pepperl+Fuchs Group
www.pepperl-fuchs.com

USA: +1 330 486 0001
fa-info@us.pepperl-fuchs.com

Germany: +49 621 776 1111
fa-info@de.pepperl-fuchs.com

Singapore: +65 6779 9091
fa-info@sg.pepperl-fuchs.com

PF PEPPERL+FUCHS

Technical Data

| | | |
|---|-------|---|
| Voltage drop | U_d | $\leq 3 \text{ V}$ |
| Operating current | I_L | 0 ... 200 mA |
| No-load supply current | I_0 | $\leq 20 \text{ mA}$ |
| Compliance with standards and directives | | |
| Standard conformity | | |
| Standards | | EN 60947-5-2:2007 IEC 60947-5-2:2007 |
| Approvals and certificates | | |
| UL approval | | cULus Listed, General Purpose |
| Ambient conditions | | |
| Ambient temperature | | -25 ... 100 °C (-13 ... 212 °F) |
| Mechanical specifications | | |
| Connection type | | cablE PUR , 2 m |
| Core cross section | | 0.75 mm ² |
| Housing material | | PBT |
| Sensing face | | PBT |
| Degree of protection | | IP68 |

Connection

