

Inductive ring sensor

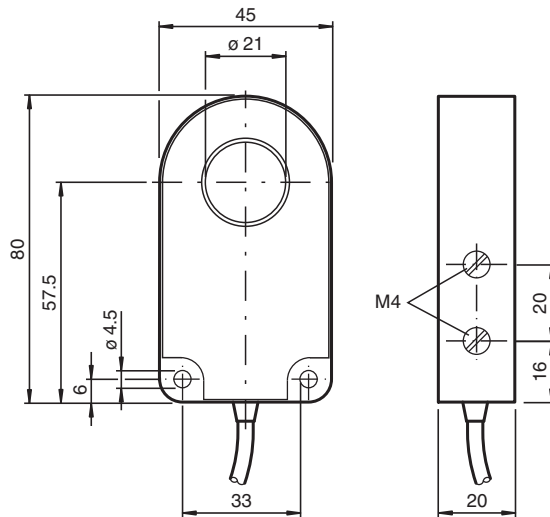
RJ21-E2



- 21 mm inside diameter
- 3-wire DC



Dimensions



Technical Data

General specifications			
Switching function			Normally open (NO)
Output type			PNP
Output polarity			DC
Inside diameter			21 mm
Measuring cylinder			
Diameter			6 mm
Length			12 mm
Material			Steel 1.0711
Output type			3-wire
Nominal ratings			
Operating voltage	U_B		10 ... 30 V DC
Switching frequency	f		0 ... 1000 Hz
Hysteresis	H		typ. 5%
Reverse polarity protection			reverse polarity protected

Release date: 2023-09-13 Date of issue: 2023-09-13 Filename: 013004_eng.pdf

Refer to "General Notes Relating to Pepperl+Fuchs Product Information".

Pepperl+Fuchs Group
www.pepperl-fuchs.com

USA: +1 330 486 0001
fa-info@us.pepperl-fuchs.com

Germany: +49 621 776 1111
fa-info@de.pepperl-fuchs.com

Singapore: +65 6779 9091
fa-info@sg.pepperl-fuchs.com

PEPPERL+FUCHS

Technical Data

Short-circuit protection		pulsing
Voltage drop	U_d	$\leq 3 \text{ V}$
Operating current	I_L	0 ... 200 mA
No-load supply current	I_0	$\leq 20 \text{ mA}$
Compliance with standards and directives		
Standard conformity		
Standards		EN 60947-5-2:2007 IEC 60947-5-2:2007
Approvals and certificates		
UL approval		cULus Listed, General Purpose
Ambient conditions		
Ambient temperature		-25 ... 70 °C (-13 ... 158 °F)
Mechanical specifications		
Connection type		cable PVC , 2 m
Core cross section		0.34 mm ²
Housing material		PBT
Degree of protection		IP67

Connection

