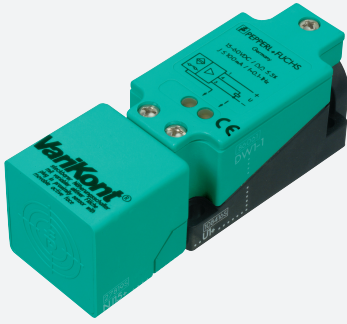


Inductive rotation speed monitor

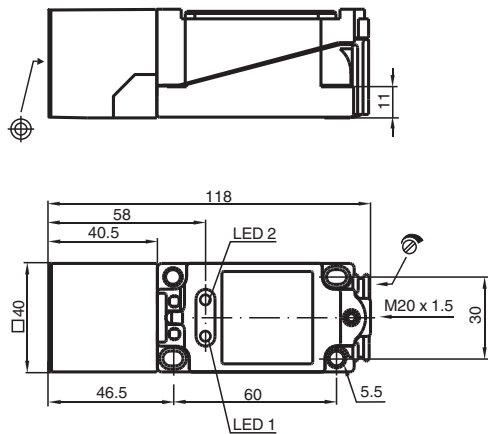
NJ15+U1+DW1-100



- Rotational speed controller
- 15 mm flush
- Start-up override time = approx. 30 s
- Up to 100 Hz



Dimensions



Technical Data

| General specifications | | |
|-----------------------------|-------|----------------------------|
| Switching function | | Normally open (NO) |
| Output type | | PNP |
| Frequency range | | 10 ... 100 Hz , adjustable |
| Rated operating distance | s_n | 15 mm |
| Installation | | flush |
| Output polarity | | DC |
| Assured operating distance | s_a | 0 ... 12.15 mm |
| Reduction factor r_{AI} | | 0.4 |
| Reduction factor r_{Cu} | | 0.3 |
| Reduction factor r_{304} | | 0.85 |
| Output type | | 3-wire |
| Nominal ratings | | |
| Operating voltage | U_B | 15 ... 60 V DC |
| Reverse polarity protection | | reverse polarity protected |
| Short-circuit protection | | pulsing |
| Voltage drop | U_d | ≤ 2 V |

Release date: 2023-12-08 Date of issue: 2023-12-08 Filename: 015950_eng.pdf

Refer to "General Notes Relating to Pepperl+Fuchs Product Information".

Pepperl+Fuchs Group
www.pepperl-fuchs.com

USA: +1 330 486 0001
fa-info@us.pepperl-fuchs.com

Germany: +49 621 776 1111
fa-info@de.pepperl-fuchs.com

Singapore: +65 6779 9091
fa-info@sg.pepperl-fuchs.com

PEPPERL+FUCHS

Technical Data

| | | |
|---|-------|--|
| Operating current | I_L | 0 ... 100 mA |
| No-load supply current | I_0 | ≤ 25 mA |
| Switching state indicator | | LED 1: yellow |
| Damping indicator | | LED 2: yellow |
| Functional safety related parameters | | |
| MTTF _d | | 820 a |
| Mission Time (T _M) | | 20 a |
| Diagnostic Coverage (DC) | | 0 % |
| Compliance with standards and directives | | |
| Standard conformity | | |
| Standards | | EN 60947-5-2:2007 IEC 60947-5-2:2007 |
| Approvals and certificates | | |
| UL approval | | cULus Listed, General Purpose |
| CCC approval | | Certified by China Compulsory Certification (CCC) |
| Ambient conditions | | |
| Ambient temperature | | -25 ... 70 °C (-13 ... 158 °F) |
| Mechanical specifications | | |
| Connection type | | screw terminals |
| Information for connection | | A maximum of two conductors with the same core cross section may be mounted on one terminal connection! tightening torque 1.2 Nm + 10 % |
| Core cross section | | up to 2.5 mm ² |
| Minimum core cross-section | | without wire end ferrule 0.5 mm ² , with connector sleeves 0.34 mm ² |
| Maximum core cross-section | | without wire end ferrule 2.5 mm ² , with connector sleeves 1.5 mm ² |
| Housing material | | PBT |
| Sensing face | | PBT |
| Degree of protection | | IP67 |

Connection

