

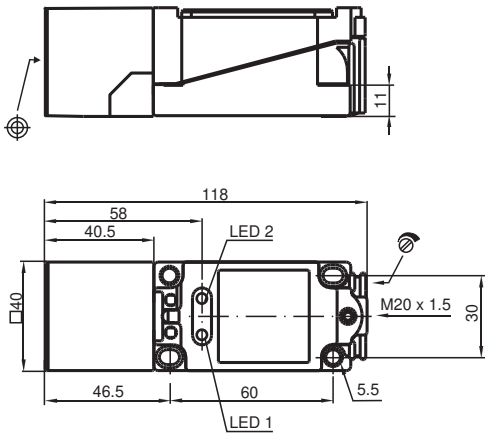
Inductive rotation speed monitor

NJ30+U1+DW1-1

- Rotational speed controller
- 30 mm non-flush
- Start-up override time = approx. 30 s



Dimensions



Technical Data

General specifications

Switching function		Normally open (NO)
Output type		PNP
Frequency range		0.1 ... 1 Hz , adjustable
Rated operating distance	s_n	30 mm
Installation		non-flush
Output polarity		DC
Assured operating distance	s_a	0 ... 24.3 mm
Reduction factor r_{Al}		0.4
Reduction factor r_{Cu}		0.3
Reduction factor r_{304}		0.85
Output type		3-wire

Nominal ratings

Operating voltage	U_B	15 ... 60 V DC
Reverse polarity protection		reverse polarity protected
Short-circuit protection		pulsing
Voltage drop	U_d	≤ 2 V
Operating current	I_L	0 ... 100 mA
No-load supply current	I_0	≤ 25 mA

Release date: 2022-06-22 Date of issue: 2022-06-22 Filename: 026525_eng.pdf

Refer to "General Notes Relating to Pepperl+Fuchs Product Information".

Pepperl+Fuchs Group
www.pepperl-fuchs.com

USA: +1 330 486 0001
fa-info@us.pepperl-fuchs.com

Germany: +49 621 776 1111
fa-info@de.pepperl-fuchs.com

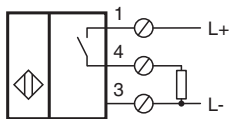
Singapore: +65 6779 9091
fa-info@sg.pepperl-fuchs.com

PF PEPPERL+FUCHS



Technical Data

Switching state indicator	LED 1: yellow
Damping indicator	LED 2: yellow
Compliance with standards and directives	
Standard conformity	
Standards	EN 60947-5-2:2007 IEC 60947-5-2:2007
Approvals and certificates	
UL approval	cULus Listed, General Purpose
CSA approval	cCSAus Listed, General Purpose
Ambient conditions	
Ambient temperature	-25 ... 70 °C (-13 ... 158 °F)
Mechanical specifications	
Connection type	screw terminals
Information for connection	A maximum of two conductors with the same core cross section may be mounted on one terminal connection! tightening torque 1.2 Nm + 10 %
Core cross section	up to 2.5 mm ²
Minimum core cross-section	without wire end ferrule 0.5 mm ² , with connector sleeves 0.34 mm ²
Maximum core cross-section	without wire end ferrule 2.5 mm ² , with connector sleeves 1.5 mm ²
Housing material	PBT
Sensing face	PBT
Degree of protection	IP67

Connection



Accessories

	MH 04-2681F	Mounting aid for VariKont, +U1+ and +U9*
	V1-M20-80	Receptacles, M12/M20; plastic version

Release date: 2022-06-22 Date of issue: 2022-06-22 Filename: 026525_eng.pdf