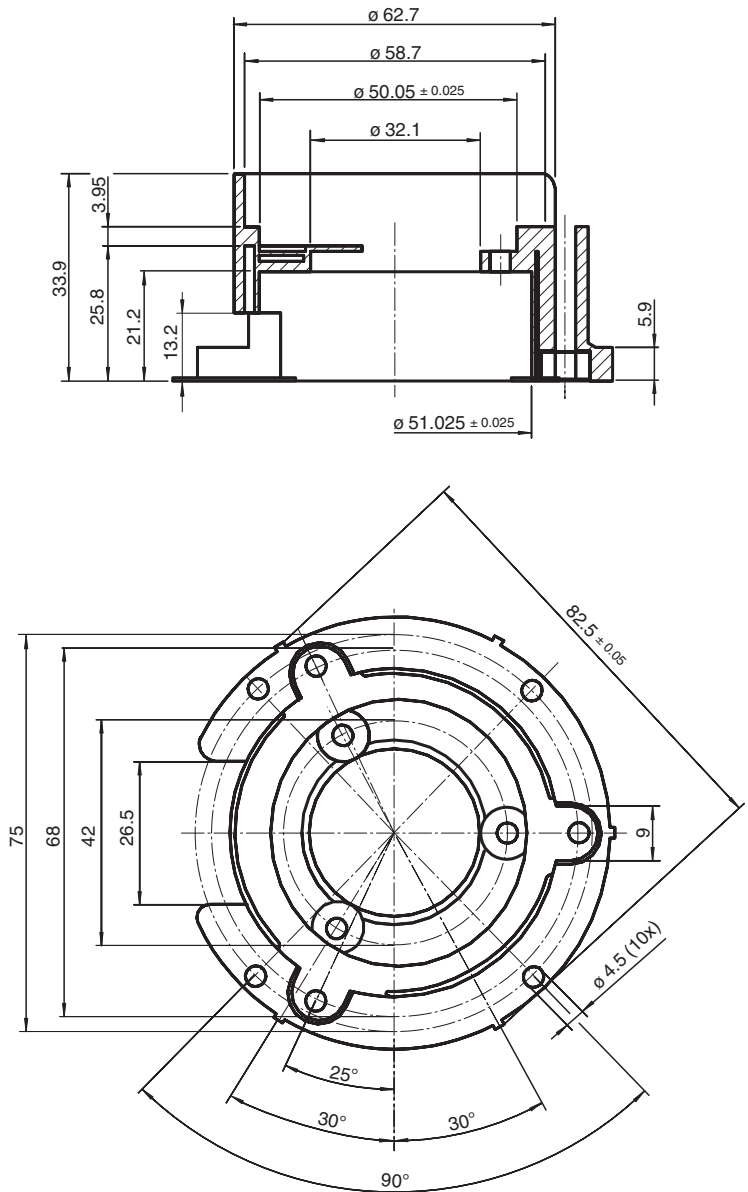




Mounting bracket for servo flange 9300

Mounting bracket for servo flange


Dimensions



Technical Data

Ambient conditions	
Ambient temperature	-40 ... 120 °C (-40 ... 248 °F)
Mechanical specifications	
Material	PPS
Mass	54 g

Matching System Components

	9311	Mounting set for the mounting bracket 9300
---	-------------	--

Release date: 2022-12-07 Date of issue: 2022-12-12 Filename: 045037_eng.pdf