

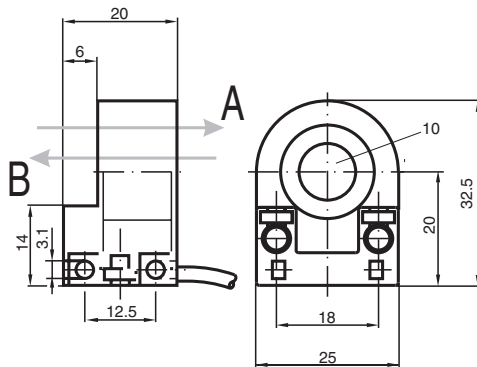
Inductive ring sensor

RC10-14-N3

- 10 mm inside diameter
- Bistable
- Direction detection



Dimensions



Technical Data

General specifications			
Switching function	Normally closed (NC)		
Output type	NAMUR, bistable		
Inside diameter	10 mm		
Measuring cylinder			
Diameter	2.5 mm		
Length	3 mm		
Measuring cone			
Material	9S20K		
Output type	2-wire		
Nominal ratings			
Nominal voltage	U_o	8.2 V (R_i approx. 1 k Ω)	
Hysteresis	H	typ. 1 %	
Reverse polarity protection	reverse polarity protected		
Current consumption			
Traverse B	3 mA		
Traverse A	1 mA		
Time delay before availability	t_v	≤ 5 ms	
Functional safety related parameters			

Release date: 2024-01-08 Date of issue: 2024-01-08 Filename: 051666_eng.pdf

Refer to "General Notes Relating to Pepperl+Fuchs Product Information".

Pepperl+Fuchs Group
www.pepperl-fuchs.com

USA: +1 330 486 0001
fa-info@us.pepperl-fuchs.com

Germany: +49 621 776 1111
fa-info@de.pepperl-fuchs.com

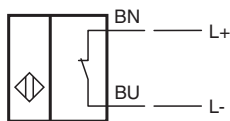
Singapore: +65 6779 9091
fa-info@sg.pepperl-fuchs.com

PF PEPPERL+FUCHS

Technical Data

MTTF _d	2144 a
Mission Time (T _M)	20 a
Diagnostic Coverage (DC)	0 %
Compliance with standards and directives	
Standard conformity	
NAMUR	EN 60947-5-6:2000 IEC 60947-5-6:1999
Standards	EN 60947-5-2:2007 EN 60947-5-2/A1:2012 IEC 60947-5-2:2007 IEC 60947-5-2 AMD 1:2012
Approvals and certificates	
ATEX approval	
Equipment protection level Gb	PTB 99 ATEX 2128 X
FM approval	
Control drawing	116-0165
UL approval	cULus Listed, General Purpose
Ambient conditions	
Ambient temperature	-20 ... 100 °C (-4 ... 212 °F)
Mechanical specifications	
Connection type	cable PVC , 2 m
Core cross section	0.14 mm ²
Housing material	PBT
Degree of protection	IP67
Cable	
Bending radius	> 10 x cable diameter
Dimensions	
Height	32.5 mm
Width	25 mm
Length	20 mm
General information	
Use in the hazardous area	see instruction manuals

Connection



Release date: 2024-01-08 Date of issue: 2024-01-08 Filename: 051666_eng.pdf

Refer to "General Notes Relating to Pepperl+Fuchs Product Information".

Pepperl+Fuchs Group
www.pepperl-fuchs.com

USA: +1 330 486 0001
fa-info@us.pepperl-fuchs.com

Germany: +49 621 776 1111
fa-info@de.pepperl-fuchs.com

Singapore: +65 6779 9091
fa-info@sg.pepperl-fuchs.com

 PEPPERL+FUCHS