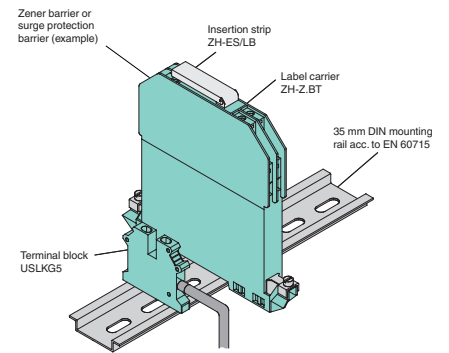
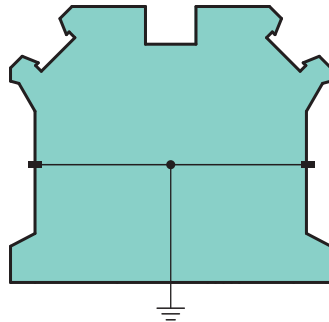


Terminal Block USLKG5

- Accessory Zener Barriers
- Accessory Surge Protection
- For equipotential bonding via DIN mounting rail

Terminal block for equipotential bonding

Connection



Technical Data

Electrical specifications	
Rated surge voltage	8 kV
Overvoltage category	III
Ambient conditions	
Ambient temperature	-60 ... 105 °C (-76 ... 221 °F)
Storage temperature	-25 ... 60 °C (-13 ... 140 °F)
Pollution degree	3
Mechanical specifications	
Connection	screw terminals
Core cross section	0.2 ... 6 mm ² rated core cross section 4 mm ²
Material	insulating material : Polyamide (PA)
Mass	20 g
Dimensions	6.2 x 42.5 x 45.8 mm (0.24 x 1.7 x 1.8 inch) (W x H x D)
Structure	one-rowed
Mounting	on 35 mm DIN mounting rail acc. to EN 60715:2001

Release date: 2022-10-19 Date of issue: 2022-10-19 Filename: 053662_eng.pdf

Refer to "General Notes Relating to Pepperl+Fuchs Product Information".

Pepperl+Fuchs Group
www.pepperl-fuchs.com

USA: +1 330 486 0002
pa-info@us.pepperl-fuchs.com

Germany: +49 621 776 2222
pa-info@de.pepperl-fuchs.com

Singapore: +65 6779 9091
pa-info@sg.pepperl-fuchs.com

PF PEPPERL+FUCHS