

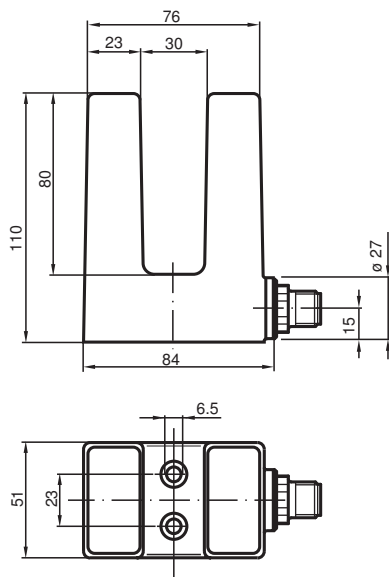
Inductive slot sensor

SJ30-A0-V1

- 30 mm slot width
- 4-wire DC



Dimensions



Technical Data

General specifications

Switching function	complementary	
Output type	NPN	
Slot width	30 mm	
Depth of immersion (lateral)	27 ... 31 mm	
Output polarity	DC	
Output type	4-wire	

Nominal ratings

Operating voltage	U_B	10 ... 65 V DC
Switching frequency	f	0 ... 150 Hz
Reverse polarity protection	reverse polarity protected	
Short-circuit protection	pulsing	
Voltage drop	U_d	≤ 3 V
Operating current	I_L	0 ... 200 mA
No-load supply current	I_0	≤ 20 mA

Functional safety related parameters

MTTF _d	757 a	
Mission Time (T _M)	20 a	
Diagnostic Coverage (DC)	0 %	

Release date: 2020-03-20 Date of issue: 2020-03-30 Filename: 084420_eng.pdf

Refer to "General Notes Relating to Pepperl+Fuchs Product Information".

Pepperl+Fuchs Group
www.pepperl-fuchs.com

USA: +1 330 486 0001
fa-info@us.pepperl-fuchs.com

Germany: +49 621 776 1111
fa-info@de.pepperl-fuchs.com

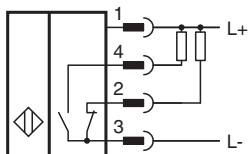
Singapore: +65 6779 9091
fa-info@sg.pepperl-fuchs.com

PEPPERL+FUCHS



Technical Data

Compliance with standards and directives	
Standard conformity	
Standards	EN 60947-5-2:2007 EN 60947-5-2/A1:2012 IEC 60947-5-2:2007 IEC 60947-5-2 AMD 1:2012
Approvals and certificates	
UL approval	cULus Listed, General Purpose
CSA approval	cCSAus Listed, General Purpose
Ambient conditions	
Ambient temperature	-25 ... 70 °C (-13 ... 158 °F)
Mechanical specifications	
Connection type	Connector plug M12 x 1 , 4-pin
Housing material	ABS
Degree of protection	IP67

Connection



Accessories

	V1-G-2M-PUR	Female cordset, M12, 4-pin, PUR cable
	V1-W-2M-PUR	Female cordset, M12, 4-pin, PUR cable

Release date: 2020-03-20 Date of issue: 2020-03-30 Filename: 084420_eng.pdf