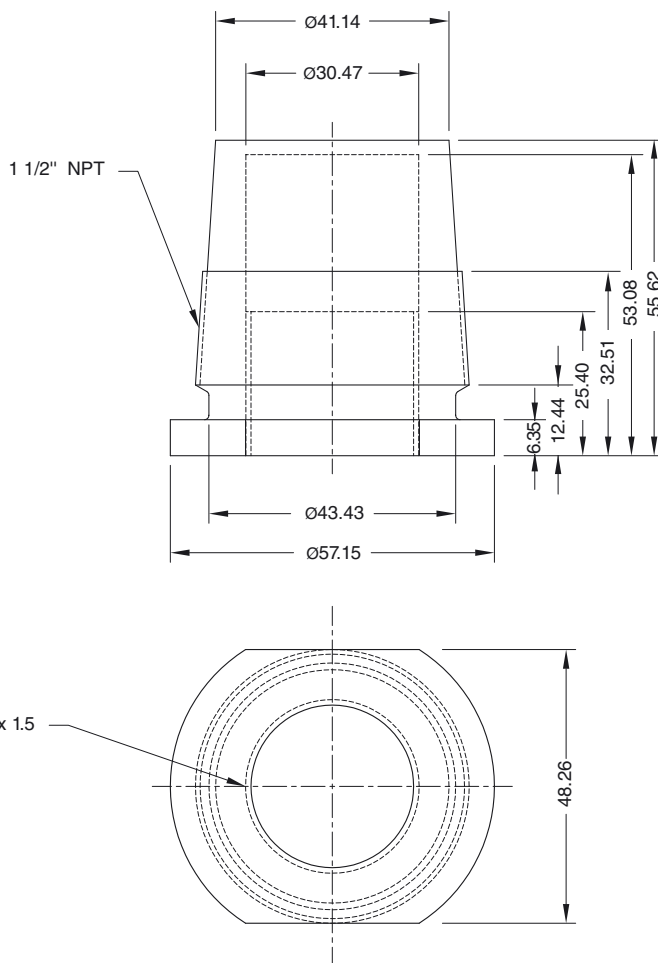




**Dimensions**



**Model Number**

MH M-101A/30MM

Sensor well

**Features**

- Keeps tanks sealed if sensor is removed

**Technical data**

**Mechanical specifications**

Material Delrin

Release date: 2017-10-06 22:42 Date of issue: 2017-10-06 09:057\_eng.xml

Refer to "General Notes Relating to Pepperl+Fuchs Product Information".

Pepperl+Fuchs Group  
www.pepperl-fuchs.com

USA: +1 330 486 0001  
fa-info@us.pepperl-fuchs.com

Germany: +49 621 776 4411  
fa-info@de.pepperl-fuchs.com

Singapore: +65 6779 9091  
fa-info@sg.pepperl-fuchs.com