

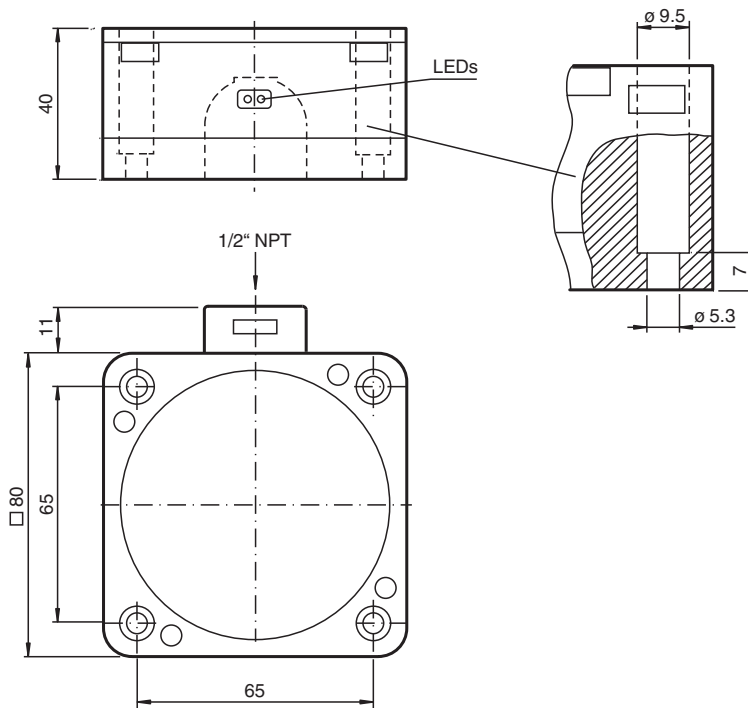


# Inductive sensor NJ50-FP-E-P2

- 3-wire DC
- Surface mount
- Sensing range 50 mm



## Dimensions



## Technical Data

### General specifications

Switching function		Normally open (NO)
Output type		NPN
Rated operating distance	$s_n$	50 mm
Installation		non-flush
Output polarity		DC
Assured operating distance	$s_a$	0 ... 40.5 mm
Reduction factor $r_{Al}$		0.4
Reduction factor $r_{Cu}$		0.3
Reduction factor $r_{304}$		0.85

Release date: 2022-05-18 Date of issue: 2022-05-18 Filename: 091330\_eng.pdf

Refer to "General Notes Relating to Pepperl+Fuchs Product Information".

Pepperl+Fuchs Group  
www.pepperl-fuchs.com

USA: +1 330 486 0001  
fa-info@us.pepperl-fuchs.com

Germany: +49 621 776 1111  
fa-info@de.pepperl-fuchs.com

Singapore: +65 6779 9091  
fa-info@sg.pepperl-fuchs.com

**PF** PEPPERL+FUCHS

## Technical Data

Output type		3-wire
<b>Nominal ratings</b>		
Operating voltage	$U_B$	10 ... 60 V
Switching frequency	f	0 ... 100 Hz
Hysteresis	H	typ. 3 %
Reverse polarity protection		yes
Short-circuit protection		yes
Voltage drop	$U_d$	$\leq 3$ V
Operating current	$I_L$	0 ... 200 mA
Off-state current	$I_r$	0 ... 0.5 mA typ. 0.1 $\mu$ A at 25 °C
No-load supply current	$I_0$	$\leq 20$ mA
Time delay before availability	$t_v$	$\leq 30$ ms
Operating voltage indicator		LED, green
Switching state indicator		LED, yellow
<b>Compliance with standards and directives</b>		
Standard conformity		
Standards		EN 60947-5-2:2007 EN 60947-5-2/A1:2012 IEC 60947-5-2:2007 IEC 60947-5-2 AMD 1:2012
<b>Standard conformity</b>		
Standards		EN 60947-5-2:2007 IEC 60947-5-2:2007
<b>Approvals and certificates</b>		
UL approval		cULus Listed, General Purpose
CSA approval		cCSAus Listed, General Purpose
<b>Ambient conditions</b>		
Ambient temperature		-25 ... 70 °C (-13 ... 158 °F)
<b>Mechanical specifications</b>		
Information for connection		A maximum of two conductors with the same core cross section may be mounted on one terminal connection! tightening torque 1.2 Nm + 10 %
Core cross section		up to 2.5 mm <sup>2</sup>
Minimum core cross-section		without wire end ferrule 0.5 mm <sup>2</sup> , with connector sleeves 0.34 mm <sup>2</sup>
Maximum core cross-section		without wire end ferrule 2.5 mm <sup>2</sup> , with connector sleeves 1.5 mm <sup>2</sup>
Housing material		Crastin (PBTB)
Sensing face		PBT
Degree of protection		IP67

## Connection

