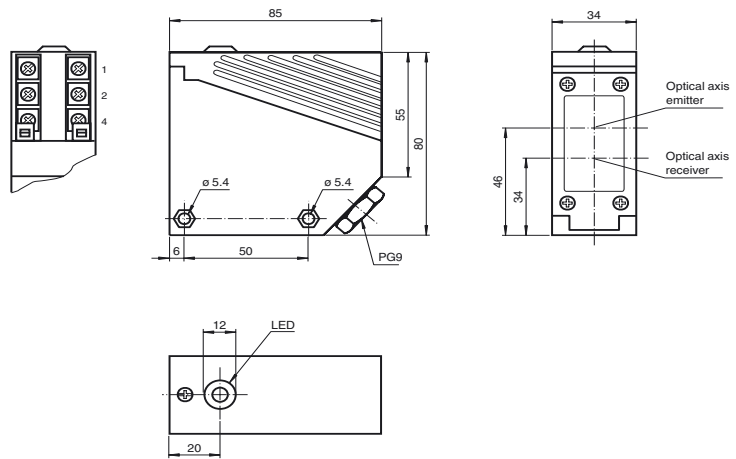




**Dimensions**



**Model Number**

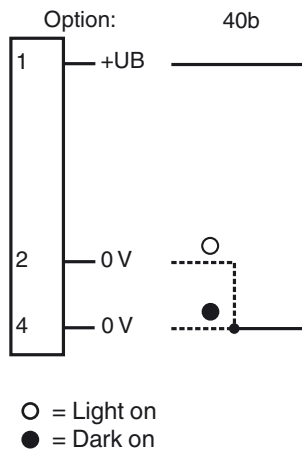
**RL36-55-Ex/40b/116**

NAMUR retroreflective sensor, large housing design, 8 m detection range, red light, light/dark on, DC version, NAMUR output, terminal compartment

**Features**

- ATEX approval for zone 1 (Gas)
- Intrinsically safe, Ex op is ia IIC T4 Gb
- Resistant against noise
- Glare protected with polarization filter
- Scratch resistant mineral glass lens

**Electrical connection**



Release date: 2016-07-06 14:38 Date of issue: 2018-04-06 106531\_eng.xml

**Technical data****General specifications**

Effective detection range	0 ... 8 m
Reflector distance	800 ... 8000 mm
Threshold detection range	11.5 m
Reference target	H85 reflector
Light source	LED
Light type	modulated visible red light , 660 nm
Polarization filter	yes
Ambient light limit	≤ 10000 Lux sun light ≤ 7500 Lux halogen light

**Functional safety related parameters**

MTTF <sub>d</sub>	1319 a
Mission Time (T <sub>M</sub> )	20 a
Diagnostic Coverage (DC)	0 %

**Indicators/operating means**

Function indicator	LED yellow: switching state
Control elements	sensitivity adjustment

**Electrical specifications**

Operating voltage	U <sub>B</sub>	6 ... 20 V DC (R <sub>i</sub> approx. 0 Ohm)
Ripple		5 %
Time delay before availability	t <sub>v</sub>	20 ms

**Output**

Switching type	light/dark on, programmable
Signal output	1 NAMUR output NC/NO programmable
Switching voltage	8 V DC (R <sub>i</sub> approx. 1 kΩ)
Switching frequency	f ≤ 100 Hz

**Current consumption**

Reference target detected	connection 1, 2: ≥ 2.2 mA connection 1, 4: ≤ 1 mA
Reference target not detected	connection 1, 2: ≤ 1 mA connection 1, 4: ≥ 2.2 mA
Response time	5 ms

**Directive conformity**

Electromagnetic compatibility	
Directive 2014/30/EU	EN 60947-5-2:2007+A1:2012

**Ambient conditions**

Ambient temperature	-25 ... 70 °C (-13 ... 158 °F)
Storage temperature	-40 ... 80 °C (-40 ... 176 °F)

**Mechanical specifications**

Housing width	34 mm
Housing height	85 mm
Housing depth	80 mm
Degree of protection	IP54
Connection	terminal compartment PG9, ≤ 2.5 mm <sup>2</sup>
Material	
Housing	PMMA
Optical face	Scratch resistant mineral glass lens
Mass	200 g

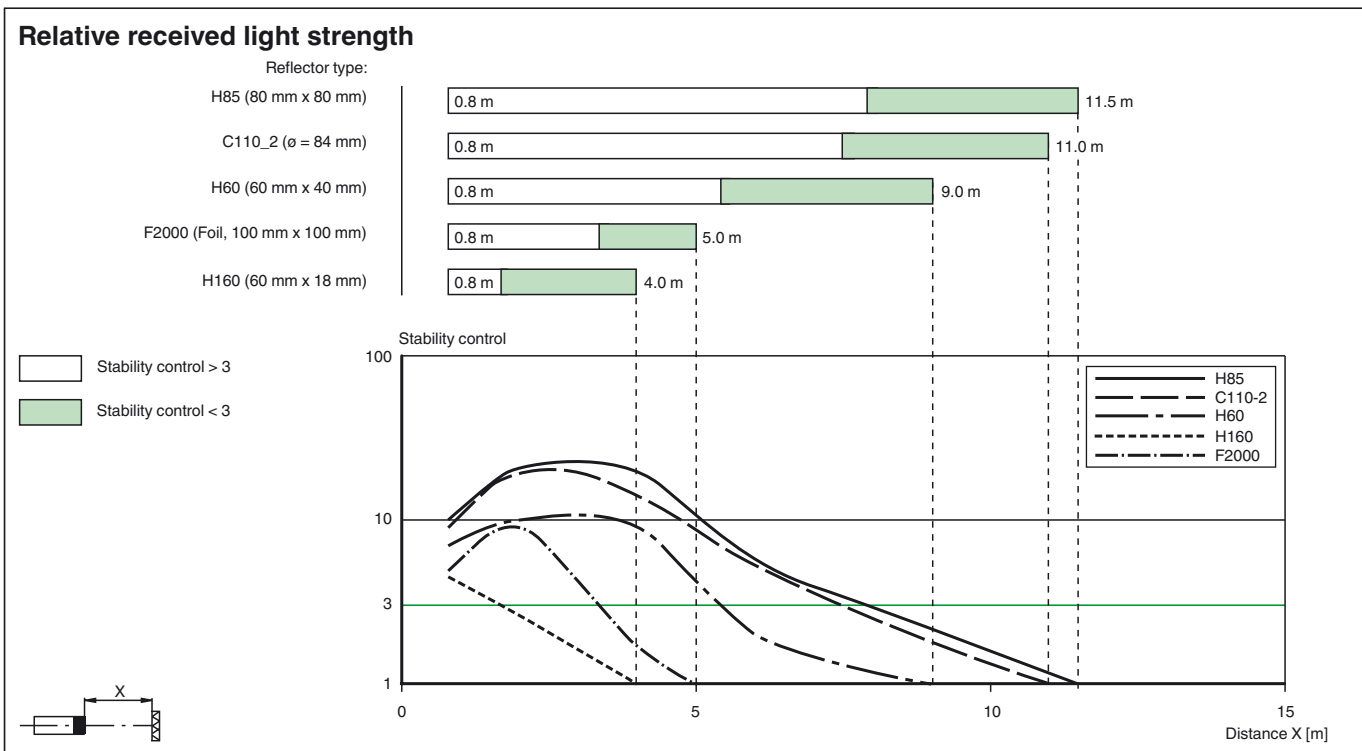
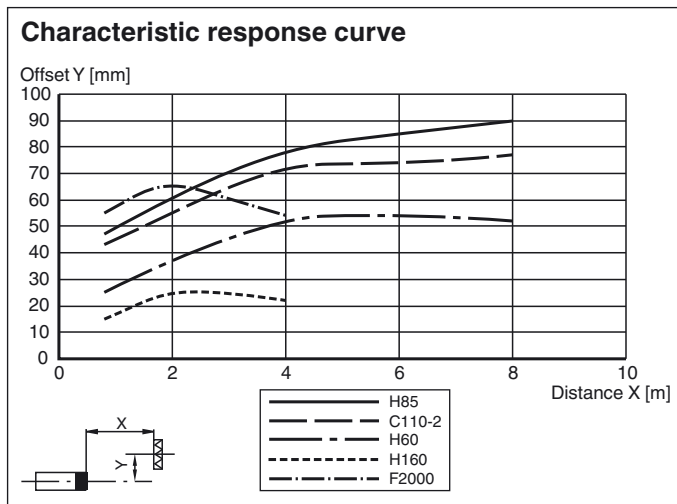
**Compliance with standards and directives**

Standard conformity	
Product standard	EN 60947-5-2
Standards	EN 60947-5-6:2000

**Approvals and certificates**

CCC approval	CCC approval / marking not required for products rated ≤36 V
--------------	--

Curves / Diagrams



Release date: 2016-07-06 14:38 Date of issue: 2018-04-06 106531\_eng.xml

Refer to "General Notes Relating to Pepperl+Fuchs Product Information".

Pepperl+Fuchs Group  
www.pepperl-fuchs.com

USA: +1 330 486 0001  
fa-info@us.pepperl-fuchs.com

Germany: +49 621 776 4411  
fa-info@de.pepperl-fuchs.com

Singapore: +65 6779 9091  
fa-info@sg.pepperl-fuchs.com