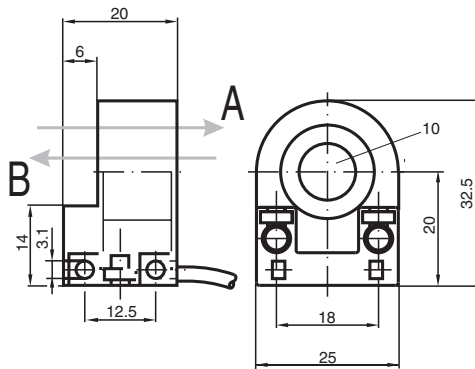


Inductive ring sensor RC10-14-N3-Y95216

- Comfort series
- Bistable
- Direction detection
- 10 mm inside diameter



Dimensions



Technical Data

General specifications		
Switching function		Normally closed (NC)
Output type		NAMUR, bistable
Installation		non-flush
Inside diameter		10 mm
Measuring cylinder		
Diameter		1/8" (3.175mm)
Measuring cone		Carboloy/high grade steel
Output type		2-wire
Nominal ratings		
Nominal voltage	U _o	8.2 V (R _i approx. 1 kΩ)
Hysteresis	H	typ. 1 %
Reverse polarity protection		reverse polarity protected
Current consumption		
Traverse B		3 mA
Traverse A		1 mA
Time delay before availability	t _v	≤ 5 ms
Compliance with standards and directives		
Standard conformity		

Release date: 2024-01-08 Date of issue: 2024-01-08 Filename: 106545_eng.pdf

Refer to "General Notes Relating to Pepperl+Fuchs Product Information".

Pepperl+Fuchs Group
www.pepperl-fuchs.com

USA: +1 330 486 0001
fa-info@us.pepperl-fuchs.com

Germany: +49 621 776 1111
fa-info@de.pepperl-fuchs.com

Singapore: +65 6779 9091
fa-info@sg.pepperl-fuchs.com

PF PEPPERL+FUCHS

Technical Data

NAMUR		EN 60947-5-6:2000 IEC 60947-5-6:1999
Standards		EN 60947-5-2:2007 EN 60947-5-2/A1:2012 IEC 60947-5-2:2007 IEC 60947-5-2 AMD 1:2012
Approvals and certificates		
ATEX approval		
Equipment protection level Gb		PTB 99 ATEX 2128 X
UL approval		cULus Listed, General Purpose
Ambient conditions		
Ambient temperature		0 ... 40 °C (32 ... 104 °F)
Mechanical specifications		
Connection type		cable
Housing material		PBT
Degree of protection		IP67
Cable		
Bending radius		> 10 x cable diameter
Material		PVC
Core cross section		0.14 mm ²
Length	L	2 m
Dimensions		
Height		32.5 mm
Width		25 mm
Length		20 mm
General information		
Use in the hazardous area		see instruction manuals

Connection

