

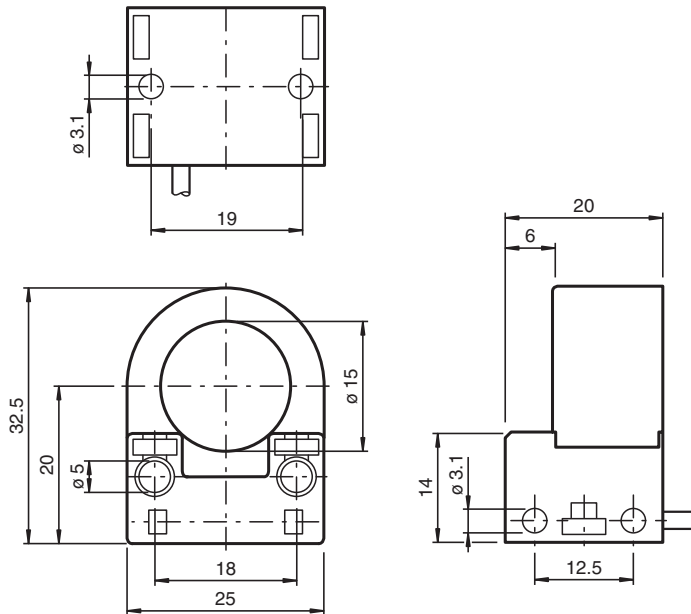
# Inductive ring sensor

## RJ15-14-N

■ 15 mm inside diameter



### Dimensions



### Technical Data

#### General specifications

Switching function	Normally closed (NC)
Output type	NAMUR
Inside diameter	15 mm
Measuring cylinder	9S20K
Diameter	3 mm
Length	6 mm
Output type	2-wire

#### Nominal ratings

Nominal voltage	$U_o$	8.2 V ( $R_i$ approx. 1 k $\Omega$ )
Operating voltage	$U_B$	5 ... 25 V
Switching frequency	f	0 ... 1500 Hz

Release date: 2024-01-08 Date of issue: 2024-01-08 Filename: 106555\_eng.pdf

Refer to "General Notes Relating to Pepperl+Fuchs Product Information".

Pepperl+Fuchs Group  
www.pepperl-fuchs.com

USA: +1 330 486 0001  
fa-info@us.pepperl-fuchs.com

Germany: +49 621 776 1111  
fa-info@de.pepperl-fuchs.com

Singapore: +65 6779 9091  
fa-info@sg.pepperl-fuchs.com

PEPPERL+FUCHS

## Technical Data

Current consumption		
Measuring plate not detected		≥ 3 mA at nominal voltage
Measuring plate detected		≤ 1 mA at nominal voltage
<b>Functional safety related parameters</b>		
MTTF <sub>d</sub>		10800 a
Mission Time (T <sub>M</sub> )		20 a
Diagnostic Coverage (DC)		0 %
<b>Compliance with standards and directives</b>		
Standard conformity		
NAMUR		EN 60947-5-6:2000 IEC 60947-5-6:1999
Standards		EN 60947-5-2:2007 EN 60947-5-2/A1:2012 IEC 60947-5-2:2007 IEC 60947-5-2 AMD 1:2012
<b>Approvals and certificates</b>		
ATEX approval		
Equipment protection level Gb		PTB 99 ATEX 2128 X
UL approval		cULus Listed, General Purpose
<b>Ambient conditions</b>		
Ambient temperature		-25 ... 70 °C (-13 ... 158 °F)
<b>Mechanical specifications</b>		
Connection type		cable
Housing material		PBT
Degree of protection		IP67
Cable		
Bending radius		> 10 x cable diameter
Material		PVC
Core cross section		0.14 mm <sup>2</sup>
Length	L	2 m
Dimensions		
Height		32.5 mm
Width		25 mm
Length		20 mm
<b>General information</b>		
Use in the hazardous area		see instruction manuals

## Connection

