

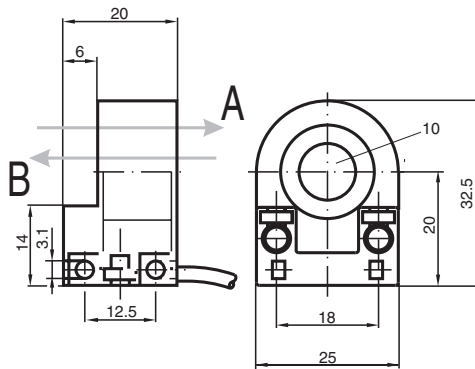
# Inductive ring sensor

## RC10-14-N3-Y110970

- 10 mm inside diameter
- Comfort series
- Bistable
- Direction detection



### Dimensions



### Technical Data

General specifications			
Switching function		Normally closed (NC)	
Output type		NAMUR, bistable	
Inside diameter		10 mm	
Measuring cylinder			
Diameter		2.5 mm	
Length		3 mm	
Measuring cone			
Material		9S20K	
Output type		2-wire	
Nominal ratings			
Nominal voltage	$U_o$	8.2 V ( $R_i$ approx. 1 k $\Omega$ )	
Hysteresis	H	typ. 1 %	
Reverse polarity protection		reverse polarity protected	
Current consumption			
Traverse B		3 mA	
Traverse A		1 mA	
Time delay before availability	$t_v$	$\leq 5$ ms	
Compliance with standards and directives			

Release date: 2024-01-08 Date of issue: 2024-01-08 Filename: 110970\_eng.pdf

Refer to "General Notes Relating to Pepperl+Fuchs Product Information".

Pepperl+Fuchs Group  
www.pepperl-fuchs.com

USA: +1 330 486 0001  
fa-info@us.pepperl-fuchs.com

Germany: +49 621 776 1111  
fa-info@de.pepperl-fuchs.com

Singapore: +65 6779 9091  
fa-info@sg.pepperl-fuchs.com

PEPPERL+FUCHS

## Technical Data

<b>Standard conformity</b>	
NAMUR	EN 60947-5-6:2000 IEC 60947-5-6:1999
Standards	EN 60947-5-2:2007 EN 60947-5-2/A1:2012 IEC 60947-5-2:2007 IEC 60947-5-2 AMD 1:2012
<b>Approvals and certificates</b>	
ATEX approval	
Equipment protection level Gb	PTB 99 ATEX 2128 X
UL approval	cULus Listed, General Purpose
<b>Ambient conditions</b>	
Ambient temperature	-20 ... 100 °C (-4 ... 212 °F)
<b>Mechanical specifications</b>	
Connection type	cablc PVC , 2 m
Core cross section	0.14 mm <sup>2</sup>
Housing material	PBT
Degree of protection	IP67
Cable	
Bending radius	> 10 x cable diameter
Dimensions	
Height	32.5 mm
Width	25 mm
Length	20 mm
<b>General information</b>	
Use in the hazardous area	see instruction manuals

## Connection

