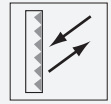


Reflector

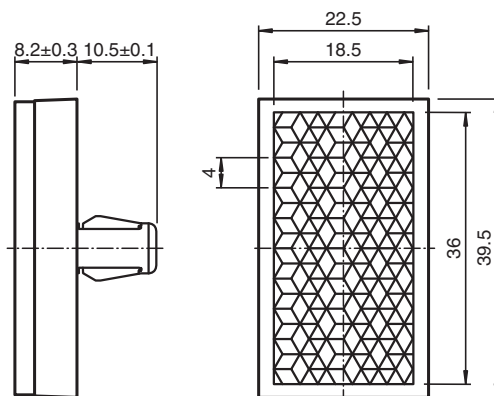
REF-CLIP40



- Simple installation with snap-in fastener
- Clip suitable for 7 mm drill hole and 1.5 mm ... 2 mm plate thickness

Rectangular reflector, 39.5 mm x 22.5 mm, push-in fixing

Dimensions



Technical Data

General specifications	
Construction type	rectangular
Ambient conditions	
Ambient temperature	-40 ... 70 °C (-40 ... 158 °F)
Mechanical specifications	
Material	PMMA/ABS
Dimensions	39.5 mm x 22.5 mm x 8.2 mm
Mounting	Snap-in

Release date: 2020-03-23 Date of issue: 2020-06-29 Filename: 113940_eng.pdf

Refer to "General Notes Relating to Pepperl+Fuchs Product Information".

Pepperl+Fuchs Group
www.pepperl-fuchs.com

USA: +1 330 486 0001
fa-info@us.pepperl-fuchs.com

Germany: +49 621 776 1111
fa-info@de.pepperl-fuchs.com

Singapore: +65 6779 9091
fa-info@sg.pepperl-fuchs.com

PF PEPPERL+FUCHS