

Inductive ring sensor

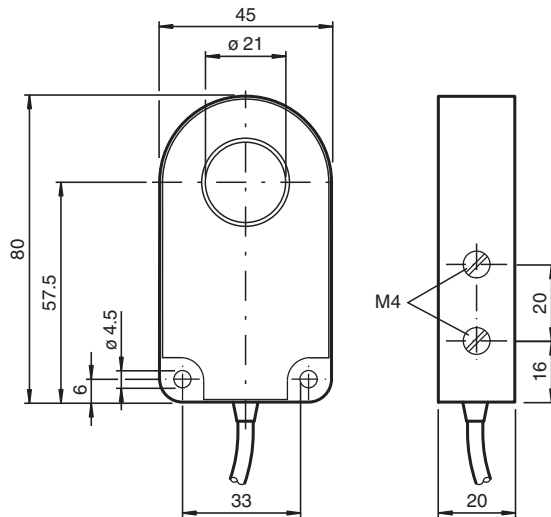
RJ21-E2-0,1M-V1



- 21 mm inside diameter
- Comfort series



Dimensions



Technical Data

General specifications	
Switching function	Normally open (NO)
Output type	PNP
Output polarity	DC
Inside diameter	21 mm
Measuring cylinder	
Diameter	6 mm
Length	12 mm
Output type	3-wire
Nominal ratings	
Nominal voltage	U_o 8 V
Operating voltage	U_B 10 ... 30 V
Switching frequency	f 0 ... 1000 Hz
Reverse polarity protection	reverse polarity protected
Short-circuit protection	pulsing

Release date: 2023-09-13 Date of issue: 2023-09-13 Filename: 119771_eng.pdf

Refer to "General Notes Relating to Pepperl+Fuchs Product Information".

Pepperl+Fuchs Group
www.pepperl-fuchs.com

USA: +1 330 486 0001
fa-info@us.pepperl-fuchs.com

Germany: +49 621 776 1111
fa-info@de.pepperl-fuchs.com

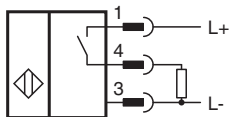
Singapore: +65 6779 9091
fa-info@sg.pepperl-fuchs.com

 PEPPERL+FUCHS

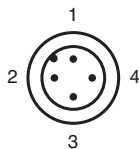
Technical Data

Voltage drop	U_d	$\leq 3\text{ V}$
Operating current	I_L	0 ... 200 mA
No-load supply current	I_0	$\leq 20\text{ mA}$
Compliance with standards and directives		
Standard conformity		
Standards		EN 60947-5-2:2007 IEC 60947-5-2:2007
Approvals and certificates		
UL approval		cULus Listed, General Purpose
Ambient conditions		
Ambient temperature		-25 ... 70 °C (-13 ... 158 °F)
Mechanical specifications		
Connection type		Cable connector M12 x 1 , 4-pin , PVC Cable, 100 mm
Core cross section		0.34 mm ²
Housing material		PBT
Degree of protection		IP67

Connection





Connection Assignment



Wire colors in accordance with EN 60947-5-2

1	BN	(brown)
2	WH	(white)
3	BU	(blue)
4	BK	(black)

Accessories

	V1-W-2M-PUR	Female cordset single-ended M12 angled A-coded, 4-pin, PUR cable grey
	V1-G-2M-PUR	Female cordset single-ended M12 straight A-coded, 4-pin, PUR cable grey