

## Base for read/write station, stainless steel version

### U-P3V4A-RX

- high-grade steel housing V4A
- With serial interfaces RS 232 and RS 485
- Degree of protection IP67
- Resistant against cleaning material

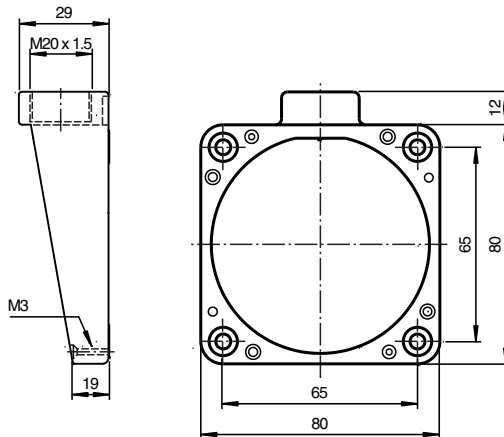
Base with serial interfaces RS 232 and RS 485, stainless steel version V4A



## Function

The base is used in combination with an upper part, the IPT\*-FP read/write station. Either a RS 232 or RS 485 interface is available. The read/write station is connected to a higher-order control system via the serial interface and receives the commands for writing and/or reading code or data carriers via this interface.

## Dimensions



## Technical Data

### Electrical specifications

Rated operating voltage	$U_e$	20 ... 30 V DC , ripple 10 % <sub>SS</sub> , PELV
Power consumption	$P_0$	max. 4 W with read/write head IPT*-FP
Galvanic isolation		
Operating voltage/interface		functional insulation acc. to DIN EN 50178, rated insulation voltage 50 V <sub>eff</sub>

### Interface

Physical		RS-232/RS-485
Protocol		ASCII
Transfer rate		1200; 2400; 4800; 9600; 19200; 38400 Bit/s
Cable length		≤ 15 m at RS 232 ≤ 1200 m at RS-485

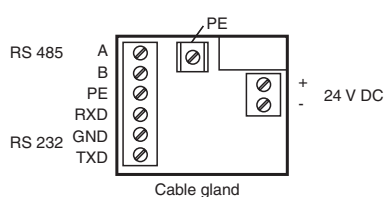
### Compliance with standards and directives

Standard conformity	
---------------------	--

## Technical Data

Degree of protection	EN 60529
<b>Ambient conditions</b>	
Ambient temperature	-25 ... 70 °C (-13 ... 158 °F)
Storage temperature	-40 ... 85 °C (-40 ... 185 °F)
<b>Mechanical specifications</b>	
Degree of protection	IP67 (only in connection with write/read head or cover )
Connection	screw terminals
Interface cable	3 conductor, acc. to RS-232 or 2 acc. to RS-485
Supply	up to 3 x 1.5 mm <sup>2</sup>
<b>Material</b>	
Housing	stainless steel V4A

## Connection



## Programming

Communication with the identification system is very easy with the demo program IDENT 2005. It shows the system options and simplifies commissioning.

The demo program is included in the scope of delivery.

Release date: 2022-02-03 Date of issue: 2022-02-03 Filename: 126903\_eng.pdf

Refer to "General Notes Relating to Pepperl+Fuchs Product Information".

Pepperl+Fuchs Group  
www.pepperl-fuchs.com

USA: +1 330 486 0001  
fa-info@us.pepperl-fuchs.com

Germany: +49 621 776 1111  
fa-info@de.pepperl-fuchs.com

Singapore: +65 6779 9091  
fa-info@sg.pepperl-fuchs.com

 **PEPPERL+FUCHS**