

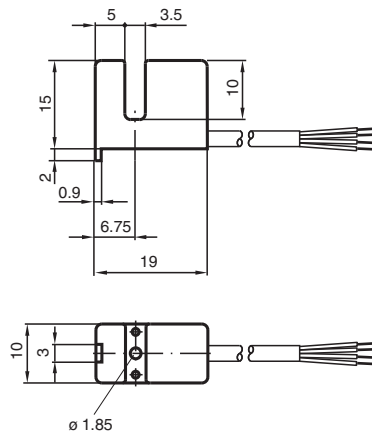
Inductive slot sensor

SB3,5-A2

- 3.5 mm slot width
- 4-wire DC



Dimensions



Technical Data

General specifications			
Switching function			complementary
Output type			PNP
Slot width			3.5 mm
Depth of immersion (lateral)			5 ... 7 mm
Output polarity			DC
Output type			3-wire
Nominal ratings			
Operating voltage	U_B		10 ... 30 V DC
Switching frequency	f		0 ... 3000 Hz
Hysteresis	H		0.1 ... 0.4 mm
Reverse polarity protection			reverse polarity protected
Short-circuit protection			pulsing
Voltage drop	U_d		≤ 2 V
Operating current	I_L		0 ... 100 mA
No-load supply current	I_0		≤ 15 mA
Compliance with standards and directives			
Standard conformity			

Release date: 2023-09-12 Date of issue: 2023-09-12 Filename: 128588_eng.pdf

Refer to "General Notes Relating to Pepperl+Fuchs Product Information".

Pepperl+Fuchs Group
www.pepperl-fuchs.com

USA: +1 330 486 0001
fa-info@us.pepperl-fuchs.com

Germany: +49 621 776 1111
fa-info@de.pepperl-fuchs.com

Singapore: +65 6779 9091
fa-info@sg.pepperl-fuchs.com

 PEPPERL+FUCHS

Technical Data

Standards	EN 60947-5-2:2007 EN 60947-5-2/A1:2012 IEC 60947-5-2:2007 IEC 60947-5-2 AMD 1:2012
Approvals and certificates	
UL approval	cULus Listed, General Purpose
CCC approval	CCC approval / marking not required for products rated ≤36 V
Ambient conditions	
Ambient temperature	-25 ... 85 °C (-13 ... 185 °F)
Mechanical specifications	
Connection type	cable PVC , 500 mm
Core cross section	0.14 mm ²
Housing material	Crastin (PBTB)
Degree of protection	IP67
Cable	
Cable diameter	3 mm + 0.3 mm
Bending radius	> 10 x cable diameter

Connection

