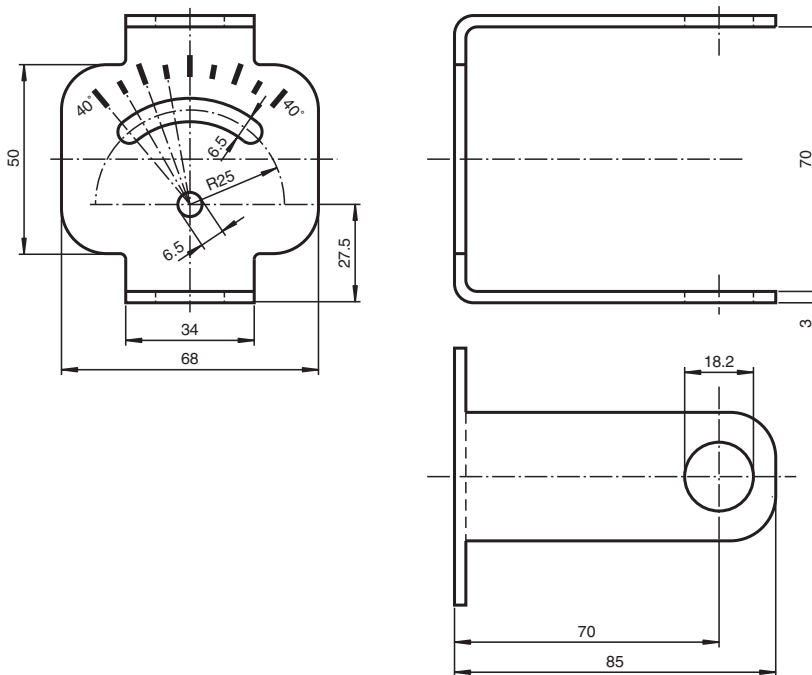


Mounting aid MH-UDB01



Mounting bracket for double sheet monitor

Dimensions



Technical Data

Mechanical specifications

Material	Stainless steel
Mass	195 g

Release date: 2020-03-21 | Date of issue: 2021-02-05 | Filename: 129584_eng.pdf

Refer to "General Notes Relating to Pepperl+Fuchs Product Information".

Pepperl+Fuchs Group
www.pepperl-fuchs.com

USA: +1 330 486 0001
fa-info@us.pepperl-fuchs.com

Germany: +49 621 776 1111
fa-info@de.pepperl-fuchs.com

Singapore: +65 6779 9091
fa-info@sg.pepperl-fuchs.com

PF PEPPERL+FUCHS