



Model number

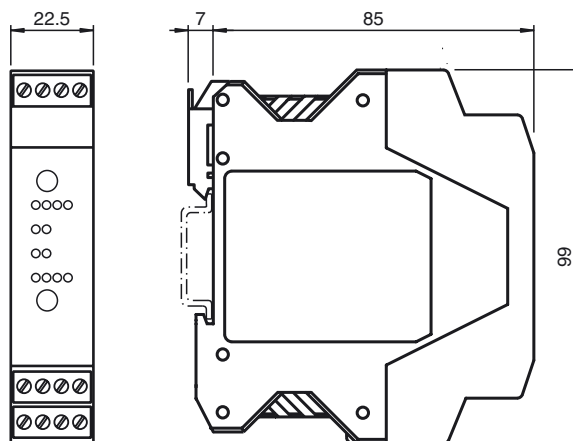
VAA-4E4A-KE2-DK

Control cabinet module
Data coupler

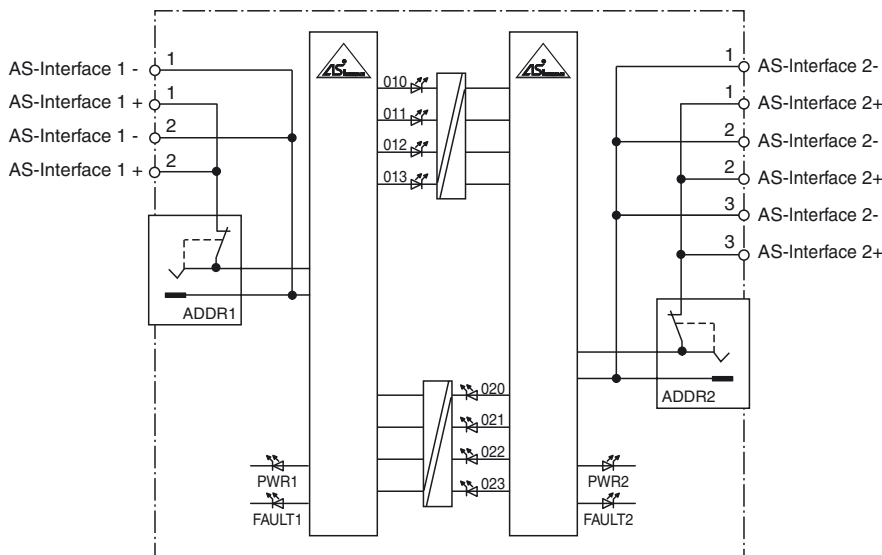
Features

- Module for bidirectional data exchange between two AS-Interface circuits
- 2 AS-Interface connections
- 4 inputs/4 outputs per slave (internally connected)
- Housing with removable terminals
- Function display for all outputs
- Communication monitoring
- Addressing via 2 sockets in the front plate

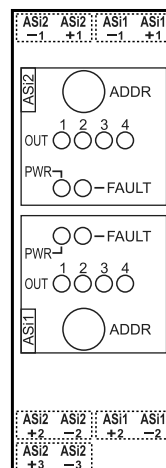
Dimensions



Electrical connection



Indicating / Operating means



Release date: 2020-02-06 11:42 Date of issue: 2020-02-06 130400_eng.xml

Technical data**General specifications**

Slave type	Standard slave
AS-Interface specification	V3.0
Required master specification	≥ V2.0

Indicators/operating means

LED FAULT	error display; LED red red: communication error or address is 0 red flashing: overload of outputs
LED PWR	AS-Interface voltage; 2 LED green
LED OUT	Switching state (output); 8 LED yellow O10-O13: AS-Interface 1; O20-O23: AS-Interface 2

Electrical specifications

Rated operating voltage	U_e	26.5 ... 31.6 V from AS-Interface
Rated operating current	I_e	≤ 80 mA

Input

Number/Type	4 internal inputs per AS-Interface circuit 1+2
-------------	--

Output

Number/Type	4 internal outputs per AS-Interface circuit 1+2
-------------	---

Directive conformity

Electromagnetic compatibility	
Directive 2014/30/EU	EN 62026-2:2013 EN 61000-6-2:2005, EN 61000-6-4:2001

Standard conformity

Electromagnetic compatibility	EN 61000-6-2:2005, EN 61000-6-4:2001, EN 50295:1999
Degree of protection	EN 60529:2000
AS-Interface	EN 62026-2:2013

Programming instructions

Profile	S-7.F.F
IO code	7
ID code	F
ID1 code	F
ID2 code	E

Data bits (function via AS-Interface)

The output of AS-Interface 1 is the input to AS-Interface 2
The output of AS-Interface 2 is the input to AS-Interface 1

	input	output
D0	IN1	O1
D1	IN2	O2
D2	IN3	O3
D3	IN4	O4

Parameter bits (programmable via AS-i)

P0	function	not used
P1	not used	
P2	not used	
P3	not used	

Ambient conditions

Ambient temperature	0 ... 55 °C (32 ... 131 °F)
Storage temperature	-25 ... 85 °C (-13 ... 185 °F)

Mechanical specifications

Degree of protection	IP20
Connection	removable terminals, terminal connection ≤ 2.5 mm ²
Material	
Housing	PA 66-FR
Mass	130 g
Mounting	DIN mounting rail

Function

The data coupler module VAA-4E4A-KE2-DK is used to exchange data via two AS-Interface circuits. The data coupler itself consists of two 4E4A slaves in a single housing. The output bits of the AS-Interface circuit 1 are represented at the AS-Interface circuit 2 as input bits, and vice versa. This permits a bidirectional data exchange without the need to transfer the data via an overriding control. This is a particular advantage in time-critical applications. The addressing of both integrated AS-Interface slaves is mutually independent. Two addressing jacks are available on the front panel.

By using two independent AS-Interface connections the related inputs and outputs are electrically separated. This prevents problems with potential shifting (mass potential). For status indication each slave has 6 LEDs on the front panel, 4 LEDs for the 4 outputs, 1 LED for the voltage indication, and 1 LED for indicating AS-Interface error messages.

The housing of only 22.5 mm width requires little room in the switch cabinet. The module is installed by snapping it onto the 35 mm mounting rail in accordance with EN 50022. Connections are made via pluggable screw terminals. This enables the easy disconnection during commissioning or service.

Accessories**VBP-HH1-V3.0-KIT**

AS-Interface Handheld with accessory

VBP-HH1-V3.0

AS-Interface Handheld

VAZ-PK-1,5M-V1-G

Adapter cable module/hand-held programming device