

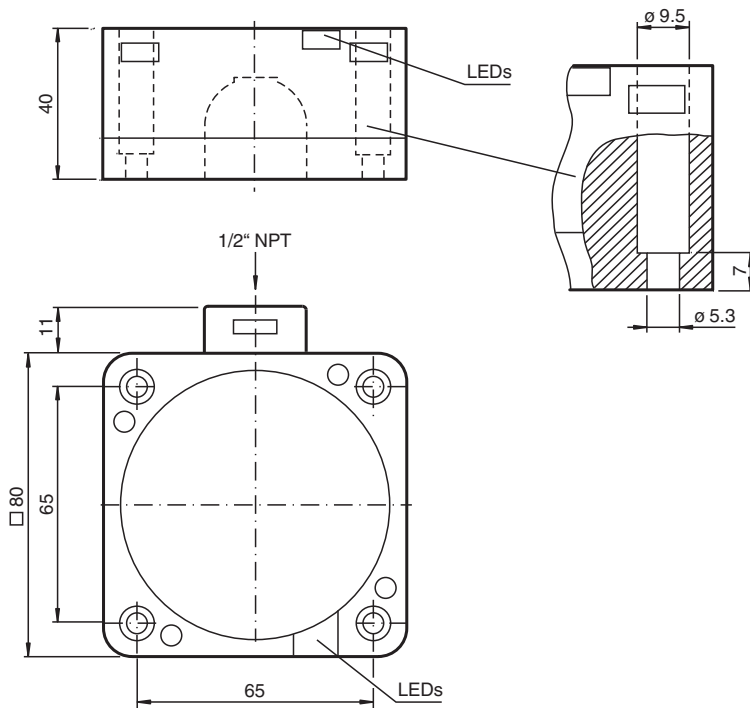


# Inductive sensor NCN40-FP-W-T-P4

- Temperature range  
-25 ... 100 °C (-13 ... 212 °F)



## Dimensions



## Technical Data

### General specifications

Switching function		Normally open/closed (NO/NC)
Output type		Two-wire
Rated operating distance	$s_n$	40 mm
Installation		non-flush
Output polarity		AC
Assured operating distance	$s_a$	0 ... 32.4 mm
Reduction factor $r_{Al}$		0.4
Reduction factor $r_{Cu}$		0.3
Reduction factor $r_{304}$		0.85

Release date: 2022-06-28 Date of issue: 2022-06-28 Filename: 130540\_eng.pdf

Refer to "General Notes Relating to Pepperl+Fuchs Product Information".

Pepperl+Fuchs Group  
www.pepperl-fuchs.com

USA: +1 330 486 0001  
fa-info@us.pepperl-fuchs.com

Germany: +49 621 776 1111  
fa-info@de.pepperl-fuchs.com

Singapore: +65 6779 9091  
fa-info@sg.pepperl-fuchs.com

**PF** PEPPERL+FUCHS

## Technical Data

Output type		2-wire
<b>Nominal ratings</b>		
Operating voltage	$U_B$	20 ... 253 V
Switching frequency	f	0 ... 20 Hz
Hysteresis	H	typ. 3 %
Short-circuit protection		no
Voltage drop	$U_d$	$\leq 5$ V typ. 4V
Momentary current (20 ms, 0.1 Hz)		max. 3000 mA
Operating current	$I_L$	5 ... 500 mA
Off-state current	$I_r$	0.3 ... 1 mA typ. 0.7 mA
Time delay before availability	$t_v$	$\leq 100$ ms
Operating voltage indicator		LED, green
Switching state indicator		LED, yellow
<b>Compliance with standards and directives</b>		
Standard conformity		
Standards		EN 60947-5-2:2007 EN 60947-5-2/A1:2012 IEC 60947-5-2:2007 IEC 60947-5-2 AMD 1:2012
<b>Approvals and certificates</b>		
UL approval		cULus Listed, General Purpose
CSA approval		cCSAus Listed, General Purpose
CCC approval		Certified by China Compulsory Certification (CCC)
<b>Ambient conditions</b>		
Ambient temperature		-25 ... 100 °C (-13 ... 212 °F)
<b>Mechanical specifications</b>		
Connection type		screw terminals
Information for connection		A maximum of two conductors with the same core cross section may be mounted on one terminal connection! tightening torque 1.2 Nm + 10 %
Core cross section		up to 2.5 mm <sup>2</sup>
Minimum core cross-section		without wire end ferrule 0.5 mm <sup>2</sup> , with connector sleeves 0.34 mm <sup>2</sup>
Maximum core cross-section		without wire end ferrule 2.5 mm <sup>2</sup> , with connector sleeves 1.5 mm <sup>2</sup>
Housing material		PBT/base of metal
Sensing face		PBT
Housing base		aluminum painted
Degree of protection		IP68
Tightening torque, housing screws		1 Nm
Note		<sup>1)</sup> In the temperature range below 0 °C, permissible operating voltage $U_b$ 80...253 V Safety fuse $\leq 2$ A (quick-blow) according to IEC 60127-2 Sheet 1 Recommendation: after a short circuit, check that the device is functioning correctly.

## Connection

