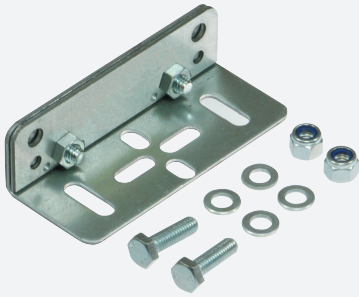


WCS mounting bracket system

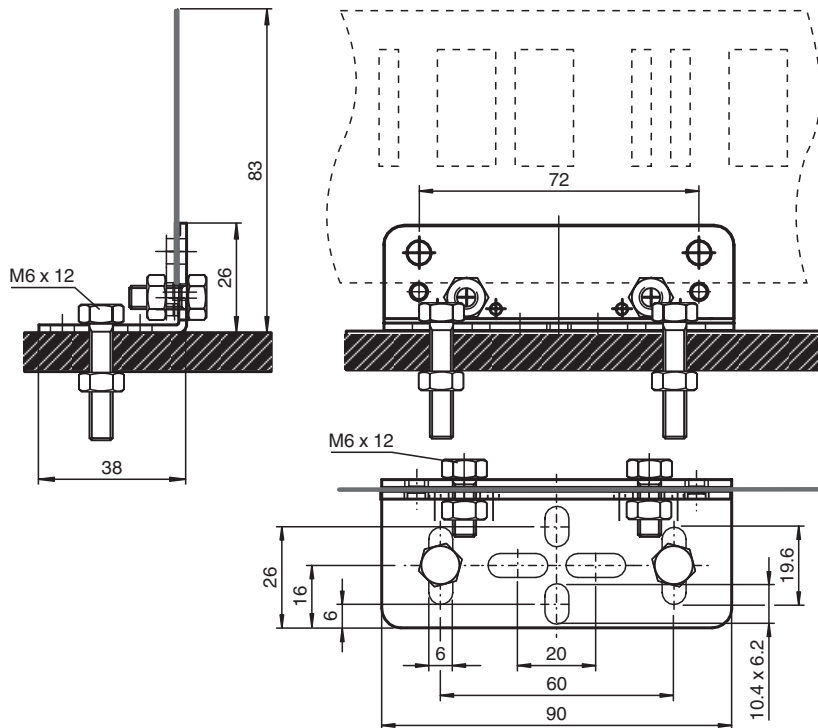
WCS-MB1



- Mounting bracket for code rail, straight
- Supplied with M6 mounting screws

Mounting bracket for bolt connection, straight

Dimensions



Technical Data

Ambient conditions

Ambient temperature -40 ... 100 °C (-40 ... 212 °F)

Mechanical specifications

Material thickness 2 mm

Material Metal sheet (steel), zinc-plated

Mass 125 g (without fastening screws)

Release date: 2024-04-19 Date of issue: 2024-04-19 Filename: 184098_eng.pdf

Refer to "General Notes Relating to Pepperl+Fuchs Product Information".

Pepperl+Fuchs Group
www.pepperl-fuchs.com

USA: +1 330 486 0001
fa-info@us.pepperl-fuchs.com

Germany: +49 621 776 1111
fa-info@de.pepperl-fuchs.com

Singapore: +65 6779 9091
fa-info@sg.pepperl-fuchs.com

PF PEPPERL+FUCHS