



### Model number

#### WCS-MB2-B

Mounting bracket for C profile, bend

### Features

- Mounting bracket for code rail, bend
- Installation in C profile rail  
30 mm x 32 mm

### Matching system components

#### WCS3-CS70-M1-1000FT

Code rail, stainless steel

#### WCS2-CS55-L1

Laminate type, 55 mm

#### WCS2-CS55-M1

Stainless steel type, 55 mm

#### WCS2-CS70-L1

Laminate type, 70 mm

#### WCS2-CS70-M1

Stainless steel type, 70 mm

#### WCS3-CS70-L\*

Code rail, polyester laminate

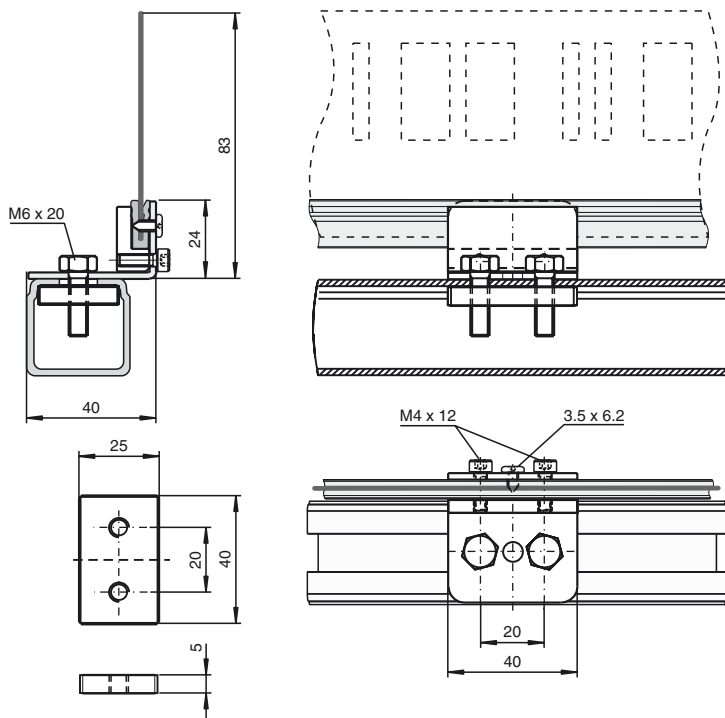
#### WCS3-CS70-M1

Code rail, stainless steel

#### WCS-SP2

Stabilization profile

### Dimensions



### Technical data

#### Ambient conditions

Ambient temperature -40 ... 100 °C (-40 ... 212 °F)

#### Mechanical specifications

Material thickness	2 mm
Material	Metal sheet (steel), zinc-plated
Mass	85 g (without fastening screws)