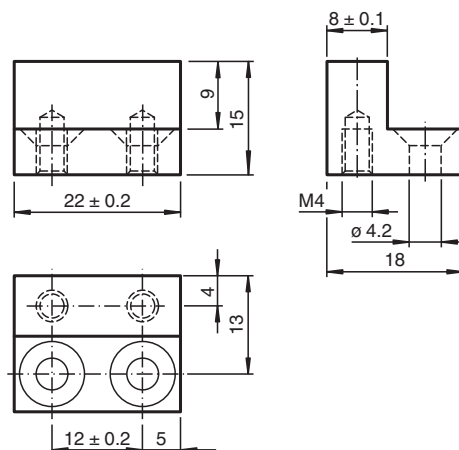




## Damping element BT-F90-G

Damping element for sensors of type F90, F112, and F166; front hole

### Dimensions



### Technical Data

#### Mechanical specifications

Material	Steel ST37 / 1.0037
Mass	20 g

Release date: 2020-03-23 Date of issue: 2020-06-29 Filename: 184702\_eng.pdf

Refer to "General Notes Relating to Pepperl+Fuchs Product Information".

Pepperl+Fuchs Group  
www.pepperl-fuchs.com

USA: +1 330 486 0001  
fa-info@us.pepperl-fuchs.com

Germany: +49 621 776 1111  
fa-info@de.pepperl-fuchs.com

Singapore: +65 6779 9091  
fa-info@sg.pepperl-fuchs.com

**PF** PEPPERL+FUCHS