

# Stop screw

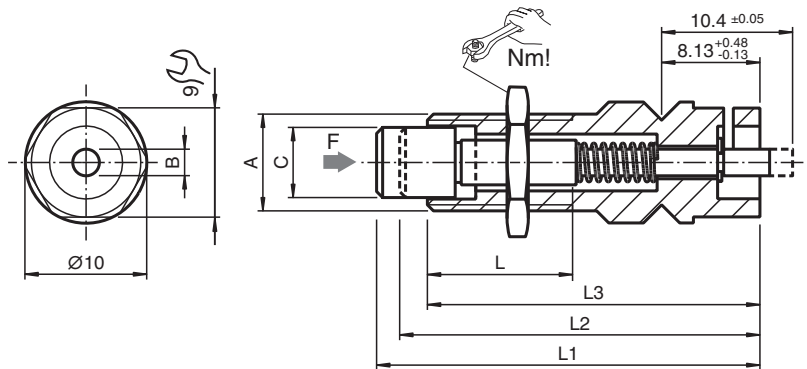
## AS 10/50

- Safely sets the mechanical end stop position



Stop screw for series F2 sensors

### Dimensions



### Technical Data

Mechanical specifications	
Operating force	min. 3 N max. 9500 N
Material	Steel 1.1191 / AISI 1045 (C45)
Dimensions	
A	M10 x 1
B	2.5 mm
C	6.8 mm
L	47 mm
L1	63.7 mm
L2	61.8 mm
L3	59.5 mm
Tightening torque	max. 16 Nm
General information	
Note	If necessary, properly secure the lock nut
Scope of delivery	Stop screw Counter nut

Release date: 2020-03-24 Date of issue: 2020-03-30 Filename: 189991\_eng.pdf

Refer to "General Notes Relating to Pepperl+Fuchs Product Information".

Pepperl+Fuchs Group  
www.pepperl-fuchs.com

USA: +1 330 486 0001  
fa-info@us.pepperl-fuchs.com

Germany: +49 621 776 1111  
fa-info@de.pepperl-fuchs.com

Singapore: +65 6779 9091  
fa-info@sg.pepperl-fuchs.com

**PF** PEPPERL+FUCHS