



AS-Interface luminous push-button module

VBA-LT2-G1-Y

- AS-Interface certificate
- Degree of protection IP67
- Flat or round cable connection (via standardized EMS base, not included with delivery)
- Cable piercing method for flat cable
- 2 integrated illuminated pushbuttons
- Fault signal via LED
- Variable colors

Illuminated pushbutton module



Function

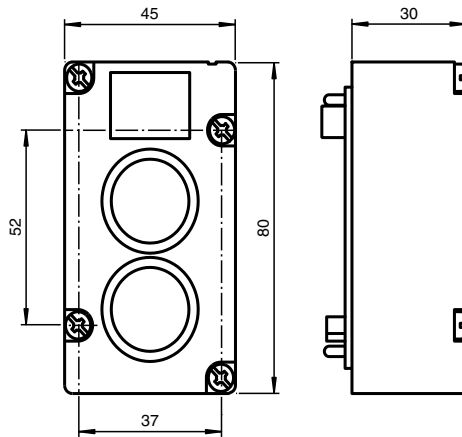
The VBA-LT2-G1 light button module creates a connection between the operating staff and the AS-Interface master. The current status can be seen on the LEDs, which are built into the buttons. There is also an LED for monitoring AS-Interface communication and the display to ensure that the module has 0 as an address.

The light button is designed according to protection type IP67 and is thus suitable for use in the field.

Various bases are available for the module. Base U-G1F implements a connection to the AS-Interface flat cable, while the U-G1P base makes a connection to a round cable.

The case arises very often that output modules must be mounted in series with the light button. The outputs of the output module receive their power supply externally. If this power supply is transferred via a flat cable, the case arises that the power supply line must be mounted in the base of an input module. In this case the U-G1FF base should be used. Then the VAA-LT2-G1 accesses the AS-Interface line, but not the power supply line.

Dimensions



Technical Data

General specifications

| | |
|--------------------------------|----------|
| Node type | A/B node |
| AS-Interface specification | V2.11 |
| Required gateway specification | ≥ V2.1 |
| Profile | S-B.A.E |
| IO code | B |
| ID code | A |
| ID2 code | E |

Indicators/operating means

Release date: 2022-06-13 Date of issue: 2022-06-13 Filename: 190066_eng.pdf

Refer to "General Notes Relating to Pepperl+Fuchs Product Information".

Pepperl+Fuchs Group
www.pepperl-fuchs.com

USA: +1 330 486 0001
fa-info@us.pepperl-fuchs.com

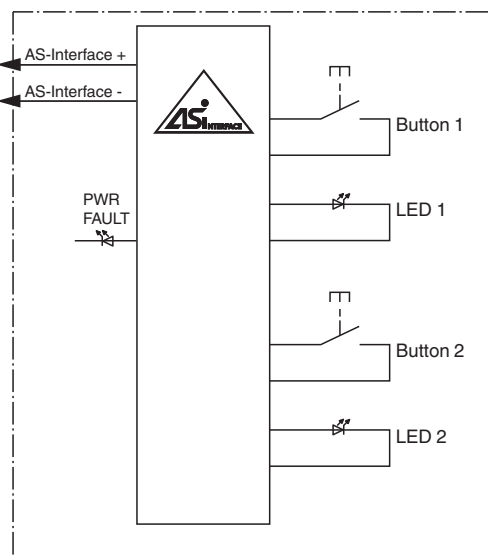
Germany: +49 621 776 1111
fa-info@de.pepperl-fuchs.com

Singapore: +65 6779 9091
fa-info@sg.pepperl-fuchs.com

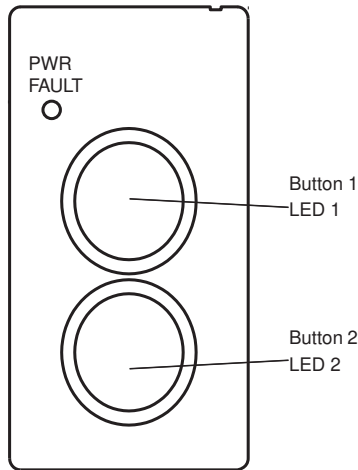
Technical Data

| | | |
|----------------------------------|-------|--|
| LED PWR/FAULT | | dual-LED green/red green: AS-Interface voltage, normal operation red: communication error or address 0 |
| Button | | 2 integrated, protected against accidental activation, keys can be individually labelled, labeling field on the module , Exchangeable push-button colors |
| Electrical specifications | | |
| Rated operating voltage | U_e | 26.5 ... 31.6 V from AS-Interface |
| Rated operating current | I_e | ≤ 50 mA (LEDs on) |
| Protection class | | III |
| Standard conformity | | |
| Electromagnetic compatibility | | EN 50295 |
| Degree of protection | | EN 60529:2000 |
| AS-Interface | | EN 62026-2:2013 |
| Ambient conditions | | |
| Ambient temperature | | -25 ... 60 °C (-13 ... 140 °F) |
| Storage temperature | | -40 ... 85 °C (-40 ... 185 °F) |
| Mechanical specifications | | |
| Degree of protection | | IP67 according to EN 60529 |
| Connection | | cable piercing method or terminal compartment flat cable or standard round cable |

Connection



Assembly



Programming




Data bit A/B node
(function via AS-Interface)

| Data bit | Input | Output |
|----------|----------|--------|
| D0 | - | LED 2 |
| D1 | - | LED 1 |
| D2 | Button 2 | - |
| D3 | Button 1 | - |



Parameter bit
(programmable via AS-Interface)

| Parameter bit | Function |
|---------------|----------|
| P0 | not used |
| P1 | not used |
| P2 | not used |
| P3 | not used |

Matching System Components

| | | |
|---|---------------|--|
|  | U-G1F | AS-Interface module mounting base for connection to flat cable (AS-Interface) |
|  | U-G1FA | AS-Interface module mounting base with addressing jack for connection to flat cable (AS-Interface) |
|  | U-G1P | AS-Interface module mounting base for connection to round cable (AS-Interface) |

Accessories

| | | |
|---|-------------------------|--------------------------------------|
|  | VBP-HH1-V3.0-KIT | AS-Interface Handheld with accessory |
|  | VAZ-LT2-REMOVER | Mounting aid for pressure covers |

Release date: 2022-06-13 Date of issue: 2022-06-13 Filename: 190066_eng.pdf