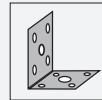


Accessories

TopScan-S Cover L1400

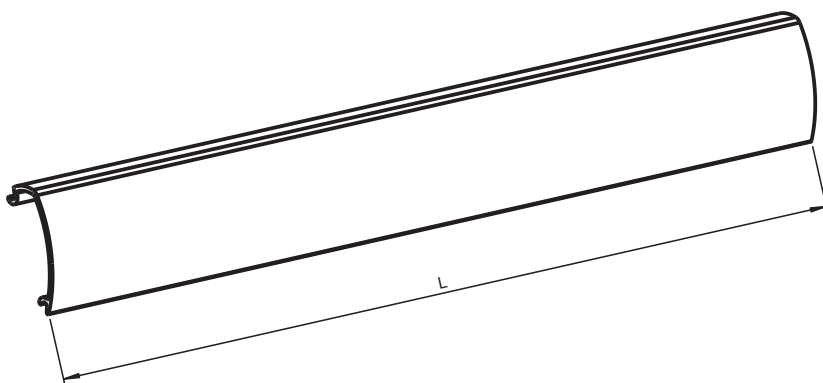


- Profile cover for aluminum profile for TopScan-S Series
- Length 1400 mm

Housing cover TopScan-S



Dimensions



Technical Data

Ambient conditions

Ambient temperature -20 ... 60 °C (-4 ... 140 °F)

Mechanical specifications

Housing length L 1400 mm

Material PMMA

Suitable series

Series TopScan-S

Release date: 2020-09-10 Date of issue: 2020-10-08 Filename: 194499_eng.pdf

Refer to "General Notes Relating to Pepperl+Fuchs Product Information".

Pepperl+Fuchs Group
www.pepperl-fuchs.com

USA: +1 330 486 0001
fa-info@us.pepperl-fuchs.com

Germany: +49 621 776 1111
fa-info@de.pepperl-fuchs.com

Singapore: +65 6779 9091
fa-info@sg.pepperl-fuchs.com

PEPPERL+FUCHS