

Accessories

TopScan-S Gasket IP54

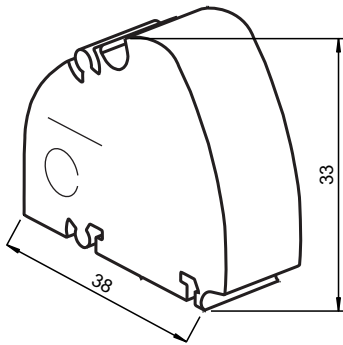


- Polyurethane foam seal for increased degree of protection to IP54
- Simple insertion into the TopScan-S profile section behind the cap

Housing seal TopScan-S



Dimensions



Technical Data

Ambient conditions	
Ambient temperature	-10 ... 50 °C (14 ... 122 °F)
Mechanical specifications	
Material	polyurethane foam
Mass	approx. 0.4 g
General information	
Packing unit	10
Suitable series	
Series	TopScan-S

Release date: 2020-09-25 Date of issue: 2020-10-08 Filename: 197527_eng.pdf

Refer to "General Notes Relating to Pepperl+Fuchs Product Information".

Pepperl+Fuchs Group
www.pepperl-fuchs.com

USA: +1 330 486 0001
fa-info@us.pepperl-fuchs.com

Germany: +49 621 776 1111
fa-info@de.pepperl-fuchs.com

Singapore: +65 6779 9091
fa-info@sg.pepperl-fuchs.com

PF PEPPERL+FUCHS