

# Inductive sensor

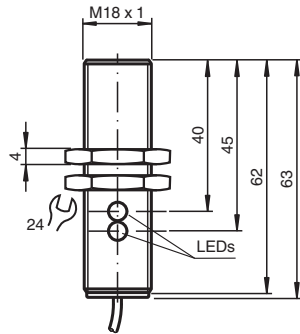
## NBB8-18GM60-UO



- 8 mm flush
- Cylindrical
- 2-wire AC/DC



### Dimensions



### Technical Data

General specifications		
Switching function		Normally closed (NC)
Output type		Two-wire
Rated operating distance	$s_n$	8 mm
Installation		flush
Output polarity		AC/DC
Reduction factor $r_{Al}$		0.45
Reduction factor $r_{Cu}$		0.4
Reduction factor $r_{304}$		0.7
Output type		3-wire
Nominal ratings		
Switching frequency	$f$	30 Hz
Hysteresis	$H$	3 ... 15 typ. 5 %
Reverse polarity protection		yes
Short-circuit protection		yes
Voltage drop	$U_d$	$\leq 8$ V
Rated operating current	$I_e$	4 ... 300 mA AC/DC
Off-state current	$I_r$	$\leq 0.8$ mA
Operating voltage indicator		LED, green
Switching state indicator		LED, yellow
Functional safety related parameters		

Release date: 2023-10-18 Date of issue: 2023-10-18 Filename: 198077\_eng.pdf

Refer to "General Notes Relating to Pepperl+Fuchs Product Information".

Pepperl+Fuchs Group  
www.pepperl-fuchs.com

USA: +1 330 486 0001  
fa-info@us.pepperl-fuchs.com

Germany: +49 621 776 1111  
fa-info@de.pepperl-fuchs.com

Singapore: +65 6779 9091  
fa-info@sg.pepperl-fuchs.com

**PEPPERL+FUCHS**

## Technical Data

MTTF <sub>d</sub>	1004 a
Mission Time (T <sub>M</sub> )	20 a
Diagnostic Coverage (DC)	0 %
<b>Electrical specifications</b>	
Rated operating voltage	U <sub>e</sub> 20 ... 250 V AC/DC
<b>Compliance with standards and directives</b>	
Standard conformity	
Standards	EN 60947-5-2:2007 EN 60947-5-2/A1:2012 IEC 60947-5-2:2007 IEC 60947-5-2 AMD 1:2012
<b>Approvals and certificates</b>	
UL approval	cULus Listed, General Purpose
CSA approval	cCSAus Listed, General Purpose
CCC approval	Certified by China Compulsory Certification (CCC)
<b>Ambient conditions</b>	
Ambient temperature	-25 ... 70 °C (-13 ... 158 °F)
Storage temperature	-40 ... 85 °C (-40 ... 185 °F)
<b>Mechanical specifications</b>	
Connection type	cablE PUR , 2 m
Core cross section	0.5 mm <sup>2</sup>
Housing material	brass, nickel-plated
Sensing face	PBT
Degree of protection	IP67

## Connection

