

Inductive sensor

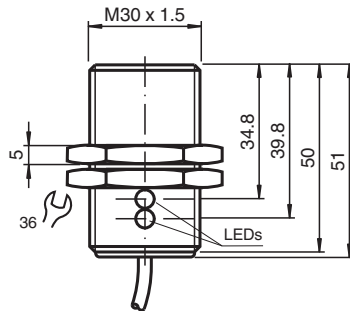
NBB15-30GM50-UO



- Cylindrical
- 15 mm flush
- 2-wire AC/DC



Dimensions



Technical Data

General specifications

Switching function		Normally closed (NC)
Output type		Two-wire
Rated operating distance	s_n	15 mm
Installation		flush
Output polarity		AC/DC
Reduction factor r_{Al}		0.5
Reduction factor r_{Cu}		0.45
Reduction factor r_{304}		0.75
Output type		3-wire

Nominal ratings

Switching frequency	f	30 Hz
Hysteresis	H	3 ... 15 typ. 5 %
Reverse polarity protection		yes
Short-circuit protection		yes
Voltage drop	U_d	≤ 8 V
Rated operating current	I_e	4 ... 500 mA AC/DC
Off-state current	I_r	≤ 0.8 mA
Operating voltage indicator		LED, green
Switching state indicator		LED, yellow

Electrical specifications

Rated operating voltage	U_e	20 ... 250 V AC/DC
-------------------------	-------	--------------------

Release date: 2023-10-18 Date of issue: 2023-10-18 Filename: 198089_eng.pdf

Refer to "General Notes Relating to Pepperl+Fuchs Product Information".

Pepperl+Fuchs Group
www.pepperl-fuchs.com

USA: +1 330 486 0001
fa-info@us.pepperl-fuchs.com

Germany: +49 621 776 1111
fa-info@de.pepperl-fuchs.com

Singapore: +65 6779 9091
fa-info@sg.pepperl-fuchs.com

 PEPPERL+FUCHS

Technical Data

Compliance with standards and directives

Standard conformity

Standards

EN 60947-5-2:2007
 EN 60947-5-2/A1:2012
 IEC 60947-5-2:2007
 IEC 60947-5-2 AMD 1:2012

Approvals and certificates

UL approval

cULus Listed, General Purpose

CSA approval

cCSAus Listed, General Purpose

CCC approval

Certified by China Compulsory Certification (CCC)

Ambient conditions

Ambient temperature

-25 ... 70 °C (-13 ... 158 °F)

Storage temperature

-40 ... 85 °C (-40 ... 185 °F)

Mechanical specifications

Connection type

cable PUR , 2 m

Core cross section

0.5 mm²

Housing material

brass, nickel-plated

Sensing face

PBT

Degree of protection

IP67

Connection

