



Diffuse mode sensor GLK18-8-200-S/59/115/161



- Short design in M18 plastic housing
- Sidelookerversion
- 4 LEDs indicator for 360° visibility
- Optimal price/power ratio
- Optimized potentiometer design for a clear control button layout in the application
- Universal usage at different power supplies

Diffuse mode sensor, M18 threaded housing design, plastic housing, side optical face, 200 mm detection range, red light, dark on, AC/DC version, NPN-FET output, fixed cable



Function

The GLV/GLK18 series sensors help improve the efficiency of machines and systems. The design of the M18 plastic housing, the connection technology, and sensor properties are highly standardized. Concentrating on the key sensor requirements has produced a robust and reliable product series for DC and AC/DC voltage systems without any over-engineering. The mounting set included in the scope of delivery and the optimized potentiometer design ensure fast assembly and easy configuration.

Application

Packaging industry:

- Presence checks, track loading, completeness checks, stack height control

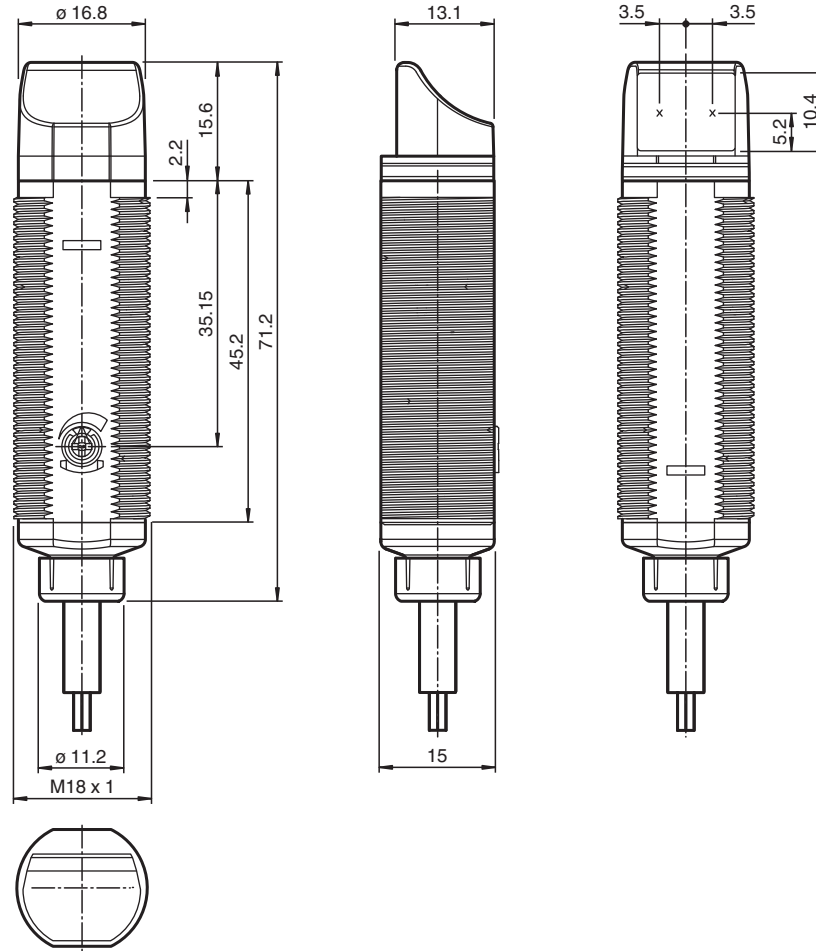
Material handling:

- Presence checks, target sensor, profile checks, trigger sensor

Automatic doors, gates and access systems, elevator:

- Secure detection for automatic door and gate systems
- Monitoring function in turnstiles
- Closing edge monitoring in elevators

Dimensions



Technical Data

| General specifications | | |
|----------------------------|----------------|--|
| Detection range | | 50 ... 200 mm adjustable |
| Detection range max. | | 0 ... 200 mm |
| Reference target | | 100 mm x 100 mm Kodak white |
| Light source | | LED |
| Light type | | modulated visible red light , 640 nm |
| Diameter of the light spot | | approx. 15 mm at 200 mm |
| Opening angle | | approx. 4 ° |
| Optical face | | lateral |
| Ambient light limit | | 30000 Lux ; according to EN 60947-5-2:2007 |
| Hysteresis | H | < 15 % |
| Accessories provided | | Mounting aids |
| Indicators/operating means | | |
| Operation indicator | | LED green, statically lit Power on |
| Function indicator | | LED yellow: lights when object is detected ; flashes when falling short of the operating reserve |
| Control elements | | sensitivity adjustment |
| Electrical specifications | | |
| Operating voltage | U _B | 20 ... 250 V AC/DC |
| No-load supply current | I ₀ | < 2.5 mA |
| Output | | |
| Switching type | | dark-on |

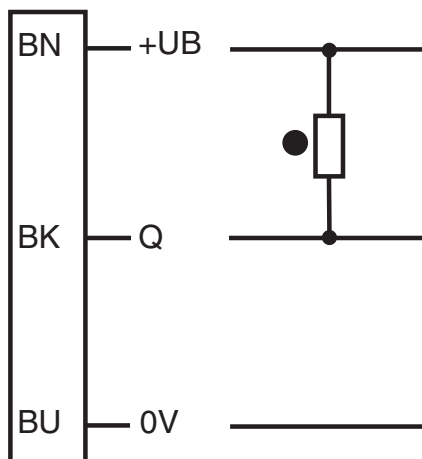
Release date: 2022-11-18 Date of issue: 2022-11-18 Filename: 199809_eng.pdf

Refer to "General Notes Relating to Pepperl+Fuchs Product Information".

Technical Data

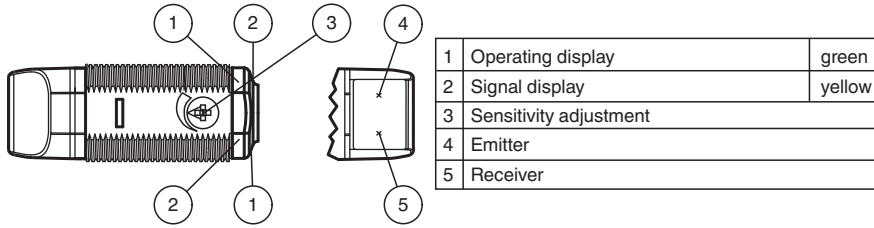
| | | |
|---|---|---|
| Signal output | N-channel MOSFET, short circuit protected | |
| Switching voltage | | max. 250 V AC/DC |
| Switching current | | max. 200 mA |
| Voltage drop | U_d | ≤ 3.5 V AC/DC |
| Switching frequency | f | 50 Hz |
| Response time | | ≤ 10 ms |
| Conformity | | |
| Product standard | | EN 60947-5-2 |
| Compliance with standards and directives | | |
| Standard conformity | | |
| Standards | | UL 508 |
| Approvals and certificates | | |
| Protection class | | II, rated insulation voltage ≤ 250 V AC with pollution degree 1-2 according to IEC 60664-1 |
| UL approval | | cULus Listed, Type 1 enclosure For overcurrent protection, install a fuse with a rated current of max. 3 A 250 V AC/DC |
| CCC approval | | Certified by China Compulsory Certification (CCC) |
| Approvals | | CE |
| Ambient conditions | | |
| Ambient temperature | | -20 ... 60 °C (-4 ... 140 °F) |
| Storage temperature | | -40 ... 70 °C (-40 ... 158 °F) |
| Mechanical specifications | | |
| Degree of protection | | IP67 |
| Connection | | 2 m, 3 x 0.34 mm ² , PVC cable |
| Material | | |
| Housing | | PC-PBT |
| Optical face | | PMMA |
| Mass | | approx. 100 g |

Connection Assignment

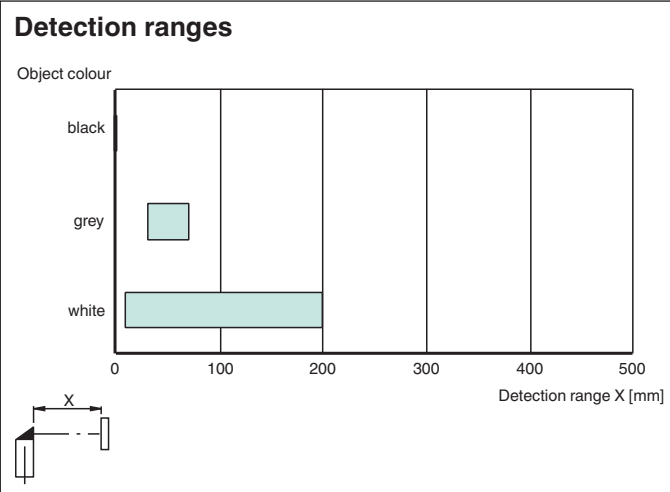
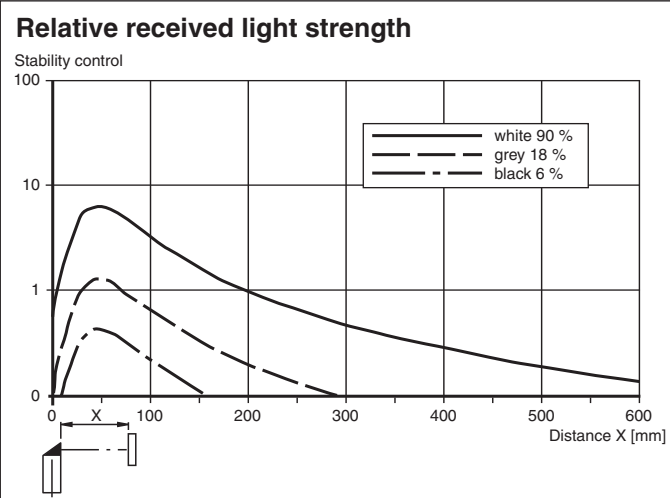
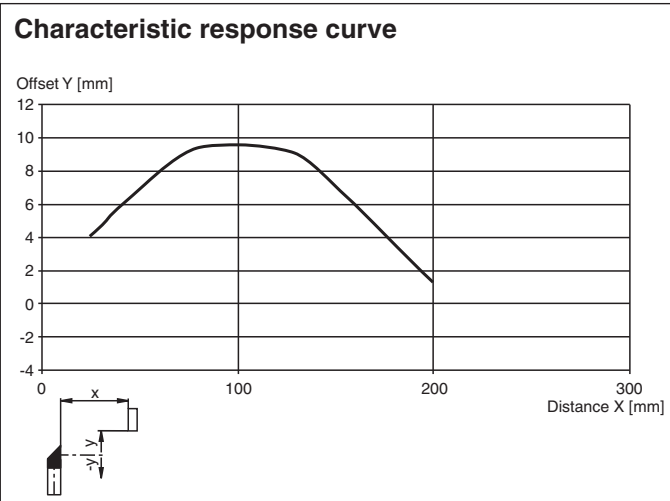


○ = Light on
● = Dark on

Assembly







Characteristic Curve



Release date: 2022-11-18 Date of issue: 2022-11-18 Filename: 199809_eng.pdf

Accessories

| | | |
|---|-----------------|---|
|  | CPZ18B03 | Mounting Bracket with swivel nut |
|  | BF 18 | Mounting flange, 18 mm |
|  | BF 18-F | Plastic mounting adapter, 18 mm |
|  | BF 5-30 | Universal mounting bracket for cylindrical sensors with a diameter of 5 ... 30 mm |