



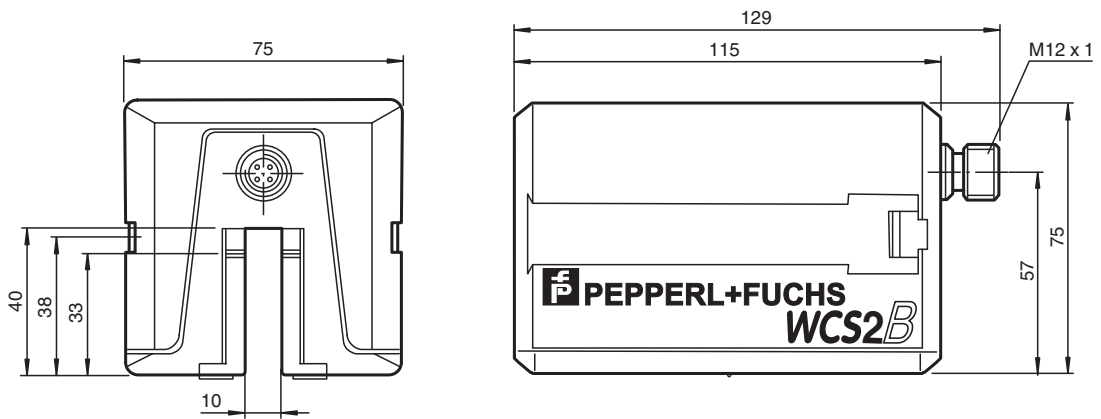
Read head WCS2B-LS211H

- RS-485 interface
- Non-contact, absolute position encoder
- Automatic detection of dirt accumulation
- Extended temperature range

Read head, RS-485 interface, with RS-485 termination resistor



Dimensions



Dimensions



Technical Data

General specifications

| | | |
|------------------------------|---|--|
| Passage speed | v | ≤ 12.5 m/s |
| Measuring range | | max. 327 m |
| Free tolerances to code rail | | horizontal: 10 mm (± 5 mm) vertical: 10 mm (± 5 mm) |
| Resolution | | ± 0.42 mm (1,200 positions/m) |

Functional safety related parameters

| | | |
|--------------------------------|--|------|
| MTTF _d | | 66 a |
| Mission Time (T _M) | | 10 a |
| Diagnostic Coverage (DC) | | 0 % |

Electrical specifications

| | | |
|-------------------|----------------|-----------------|
| Operating voltage | U _B | 10 ... 30 V DC |
| Power consumption | P ₀ | 9 VA at 24 V DC |

Interface

| | | |
|------------------|--|-------------------------|
| Interface type | | RS 485 interface |
| Data output code | | binary code |
| Protocol | | 1, 2 |
| Transfer rate | | 187.5 kBit/s |
| Termination | | with RS 485 termination |

Standard conformity

| | | |
|----------------------|--|--|
| Emitted interference | | DIN EN 61000-6-4 |
| Noise immunity | | DIN EN 61000-6-2 |
| Shock resistance | | DIN EN 60068-2-27, half sine 30 g, 18 ms |
| Vibration resistance | | DIN EN 60068-2-6, sine, 5 g, 10 - 2000 Hz, 10 cycles |

Approvals and certificates

| | | |
|--------------|--|--|
| CSA approval | | cCSAus Certified, General Purpose Class 2 power source |
| CCC approval | | CCC approval / marking not required for products rated ≤36 V |

Ambient conditions

| | | |
|-----------------------|--|--------------------------------|
| Operating temperature | | -40 ... 60 °C (-40 ... 140 °F) |
|-----------------------|--|--------------------------------|

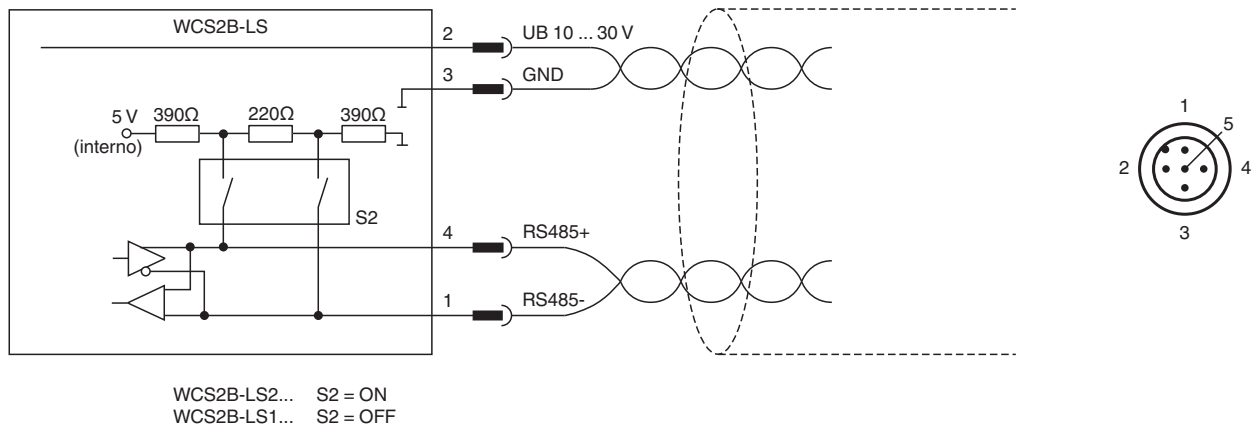
Release date: 2023-01-09 Date of issue: 2023-01-09 Filename: 200779-0007_eng.pdf

Refer to "General Notes Relating to Pepperl+Fuchs Product Information".

Technical Data

| | |
|----------------------------------|---------------------------------------|
| Storage temperature | -40 ... 85 °C (-40 ... 185 °F) |
| Relative humidity | 90 % , noncondensing |
| Mechanical specifications | |
| Connection type | 5-pin, M12 x 1 connector |
| Degree of protection | IP54 |
| Material | |
| Housing | ABS , Polycarbonate , Polyamide (PA) |
| Mass | 500 g |
| General information | |
| Ordering information | Mounting plate included with delivery |

Connection



Accessories

| | | |
|--|-----------------|--|
| | WCS-MP1 | Mounting plate for reading heads WCS2 and WCS3 |
| | WCS2-PL2 | Transparent protective case and seal for WCS2 reader |

Release date: 2023-01-09 Date of issue: 2023-01-09 Filename: 200779-0007_eng.pdf