



# Stack light LED flashing light element VAZ-FLASH-70MM-RD

- Modular design
- Flexible combination of signal elements
- Bayonet system for simple mounting and dismounting
- Long lifetime
- 70-mm-series

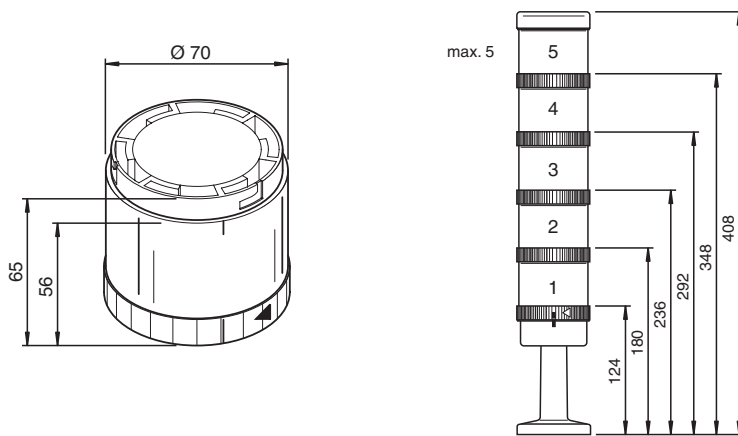
Stack light LED flashing light element, red



## Function

The LED flashing light element converts electrical signals to optical signals. The light element is available in various colours and the bayonet type connector allows easy installation on the corresponding terminal. The modular design permits user-defined combinations and reduces operation costs and storage costs. The illuminant based on LED technology is integrated in the spherical cap and features an excellent illumination, good resistance against shock and vibration as well as a long service life, which also means good MTBF figures (Mean Time Between Failures).

## Dimensions



## Technical Data

### General specifications

UL File Number	E223176
Color	red
Frequency	approx. 1 Hz

### Functional safety related parameters

MTTF <sub>d</sub>	700 a
-------------------	-------

### Electrical specifications

Rated operating voltage	U <sub>e</sub>	24 V DC
Rated operating current	I <sub>e</sub>	35 mA
Protection class	III	

### Directive conformity

Electromagnetic compatibility
-------------------------------

Release date: 2022-06-30 Date of issue: 2022-06-30 Filename: 205223\_eng.pdf

Refer to "General Notes Relating to Pepperl+Fuchs Product Information".

Pepperl+Fuchs Group  
www.pepperl-fuchs.com

USA: +1 330 486 0001  
fa-info@us.pepperl-fuchs.com

Germany: +49 621 776 1111  
fa-info@de.pepperl-fuchs.com



Singapore: +65 6779 9091  
fa-info@sg.pepperl-fuchs.com

**PF** PEPPERL+FUCHS

## Technical Data

Directive 2014/30/EU	EN 60947-5-1 EN 60947-1
<b>Standard conformity</b>	
Degree of protection	EN 60529
<b>Ambient conditions</b>	
Ambient temperature	-20 ... 50 °C (-4 ... 122 °F)
<b>Mechanical specifications</b>	
Degree of protection	IP65
Connection	Bayonet system
Life span	Max. 50000 hours = 5.7 years (continuous operation)

## Matching System Components

	<b>VAZ-CLAMP-70MM-90°</b>	Stack light terminal base with cover plate
	<b>VAZ-70MM-IO</b>	Signal tower connection element IO-Link with cover