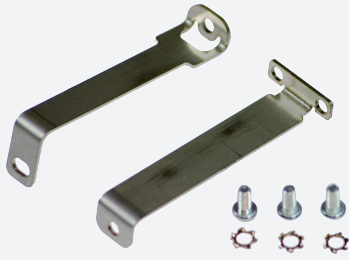


# Mounting aid OMH-SLCT-02

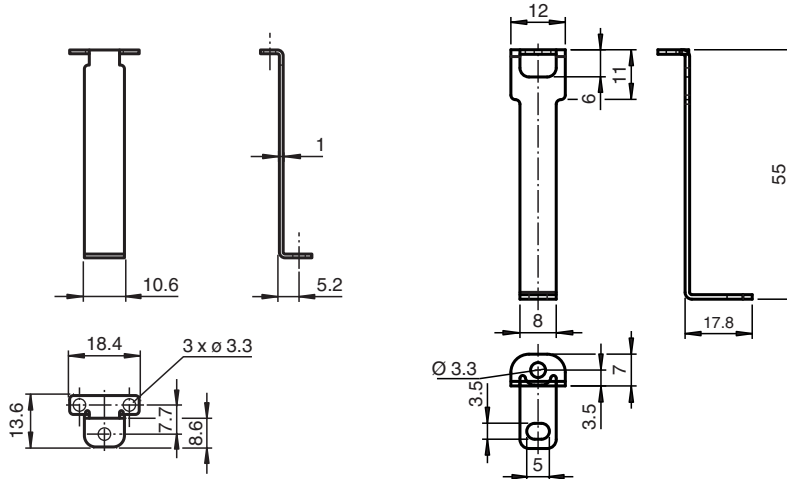


- Mounting bracket
- Simple and fast mounting

Attachment aid for OMH-SLCT-01



## Dimensions



## Technical Data

### Mechanical specifications

Material	Stainless steel
Mass	approx. 12 g
Mounting	Mounting accessories included

### Suitable series

Safety Series	SLCT SLCS
---------------	--------------

Release date: 2020-07-31 Date of issue: 2020-10-06 Filename: 208707\_eng.pdf

Refer to "General Notes Relating to Pepperl+Fuchs Product Information".

Pepperl+Fuchs Group  
www.pepperl-fuchs.com

USA: +1 330 486 0001  
fa-info@us.pepperl-fuchs.com

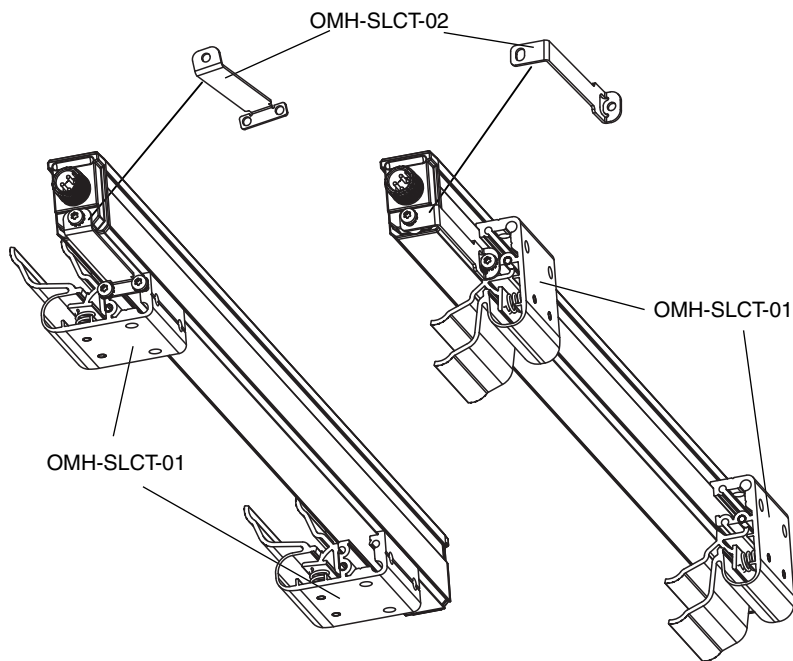
Germany: +49 621 776 1111  
fa-info@de.pepperl-fuchs.com

Singapore: +65 6779 9091  
fa-info@sg.pepperl-fuchs.com

**PF** PEPPERL+FUCHS

**Mounting note**

Rear view and lateral mounting.



Release date: 2020-07-31 Date of issue: 2020-10-06 Filename: 208707\_eng.pdf

Refer to "General Notes Relating to Pepperl+Fuchs Product Information".

Pepperl+Fuchs Group  
www.pepperl-fuchs.com

USA: +1 330 486 0001  
fa-info@us.pepperl-fuchs.com

Germany: +49 621 776 1111  
fa-info@de.pepperl-fuchs.com

Singapore: +65 6779 9091  
fa-info@sg.pepperl-fuchs.com