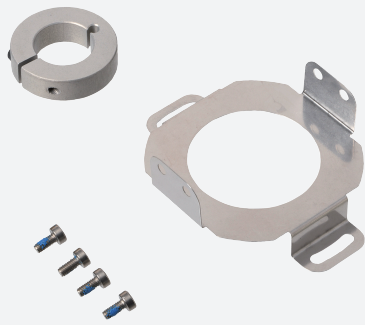


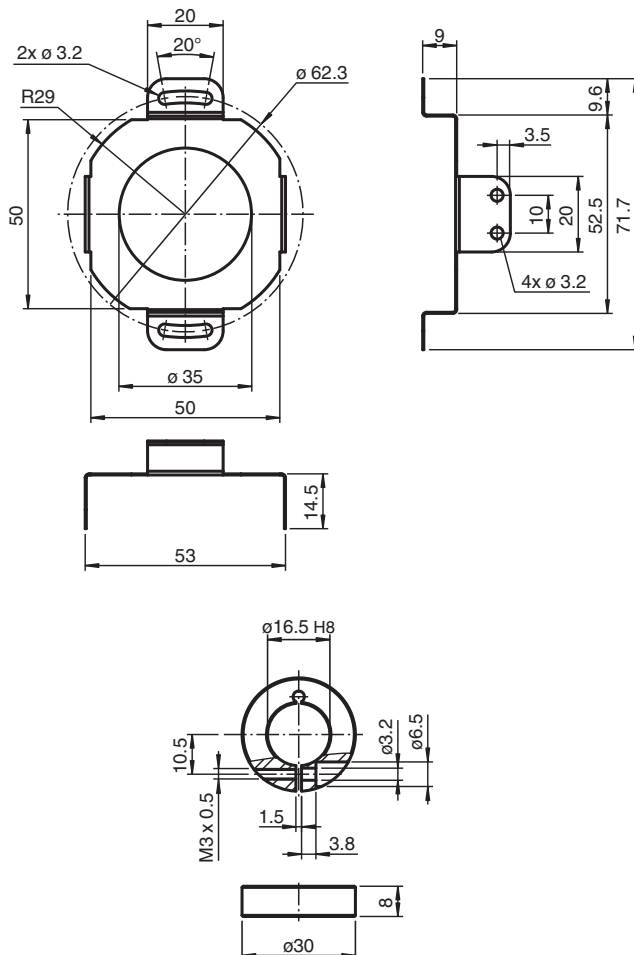
Torque rest

ACC-PACK-ABS-_S_58 $\varnothing 15$



Accessories set for $\varnothing 58$ absolut rotary encoder with recessed hollow shaft 15 mm

Dimensions



Technical Data

General information

| | |
|-------------------|---|
| Scope of delivery | 1 Torque rest 58 mm 1 clamping ring 4 cylinder head screws M3 x 6 |
|-------------------|---|

Release date: 2022-11-22 Date of issue: 2022-12-12 Filename: 208958_eng.pdf

Refer to "General Notes Relating to Pepperl+Fuchs Product Information".

Pepperl+Fuchs Group
www.pepperl-fuchs.com

USA: +1 330 486 0001
fa-info@us.pepperl-fuchs.com

Germany: +49 621 776 1111
fa-info@de.pepperl-fuchs.com

Singapore: +65 6779 9091
fa-info@sg.pepperl-fuchs.com

pf PEPPERL+FUCHS