



Model number

VAZ-IM1-BOLT-S

Straight actuator for AS-Interface safety switches

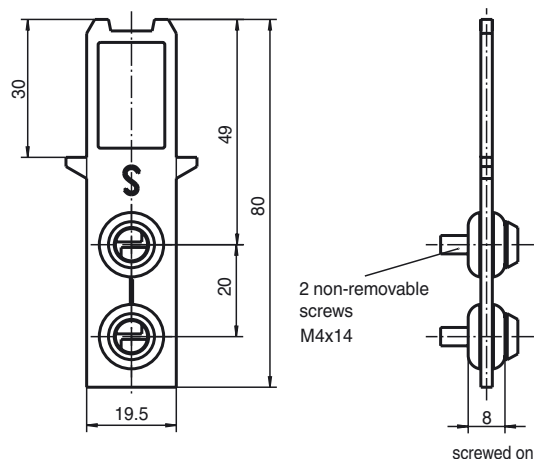
Features

- Rubber-mounted actuator for radii > 300 mm

Function

The straight actuator VAZ-IM1-BOLT-S is intended for use on sliding doors or swivel doors with door radius greater than 300 mm. The actuator is suitable for a maximum tensile force of 2500 N. The Niro safety screws, which are included in the scope of supply, can be screwed in with a normal tool and prevent unscrewing.

Dimensions



Technical data

Mechanical specifications

Material	stainless steel
Mounting screw	stainless steel
Tension force	≤ 2500 N
door radius	r ≥ 300 mm
caster	5 mm

General information

Scope of delivery	1 straight actuator, with rubber grommet; 2 safety screws, stainless steel M4 x 14
-------------------	--