



Model number

VAZ-IM1-90°-BOLT-S

Right-angled actuator for AS-Interface safety switches

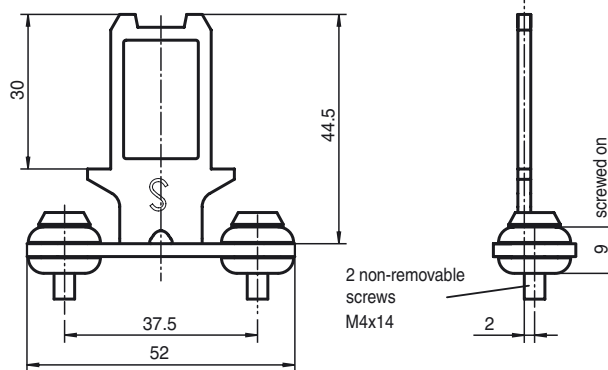
Features

- Rubber-mounted actuator for radii > 300 mm

Function

The angled actuator VAZ-IM1-90°-BOLT-S is intended for use on sliding doors or swivel doors with door radius greater than 300 mm. The actuator is suitable for a maximum tensile force of 1500 N. The Niro safety screws, which are included in the scope of supply, can be screwed in with a normal tool and prevent unscrewing.

Dimensions



Technical data

Mechanical specifications

Material	stainless steel
Mounting screw	stainless steel
Tension force	≤ 1500 N
door radius	r ≥ 300 mm
caster	5 mm

General information

Scope of delivery	1 right-angled actuator, with rubber grommet; 2 safety screws, stainless steel M4 x 14
-------------------	--

Release date: 2008-11-13 11:00 Date of issue: 2014-01-13 210507_eng.xml

Refer to "General Notes Relating to Pepperl+Fuchs Product Information".

Pepperl+Fuchs Group
www.pepperl-fuchs.com

USA: +1 330 486 0001
fa-info@us.pepperl-fuchs.com

Germany: +49 621 776 4411
fa-info@de.pepperl-fuchs.com

Singapore: +65 6779 9091
fa-info@sg.pepperl-fuchs.com