



Model number

VAZ-IM1-LR-RADIUS-BOLT-S

Hinged actuator for right/left mounted doors, for AS-Interface safety switches

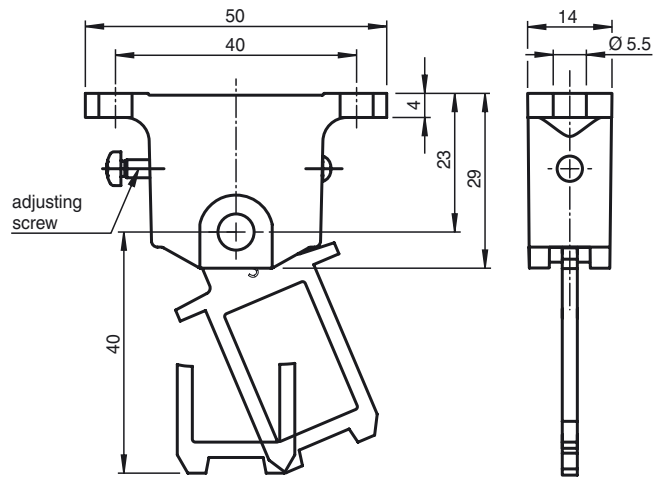
Features

- Spring-mounted actuator for radii > 100 mm

Function

The hinged actuator VAZ-IM1-LR-RADIUS-BOLT-S is intended for use on left or right-mounted doors with door radius between 100 mm and 1000 mm. Damage caused by jamming on the actuating head is prevented by the spring actuator. The Niro safety screws, which are included in the scope of supply, can be screwed in with a normal tool and prevent unscrewing.

Dimensions



Technical data

Mechanical specifications

Material	stainless steel
Mounting screw	stainless steel
door radius	r 100 ... 1000 mm
door stop	left/right
caster	5 mm

General information

Scope of delivery	1 hinged actuator, for right- and left-mounted doors 2 safety screws, stainless steel M5 x 10
-------------------	---

Release date: 2009-01-13 15:33 Date of issue: 2014-01-13 210509_eng.xml