



**Model number**

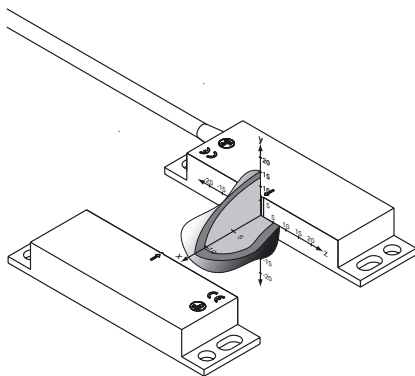
**VAA-2E1A-IER1-S-1M-V1**

Reed safety switch for non-contact AS-Interface safety switches

**Features**

- Compact plastic housing
- Encapsulated electronics
- Especially suited to small doors and coverings
- Multiple-flush magnet system
- Cable with M12 plug

**Operating distance**

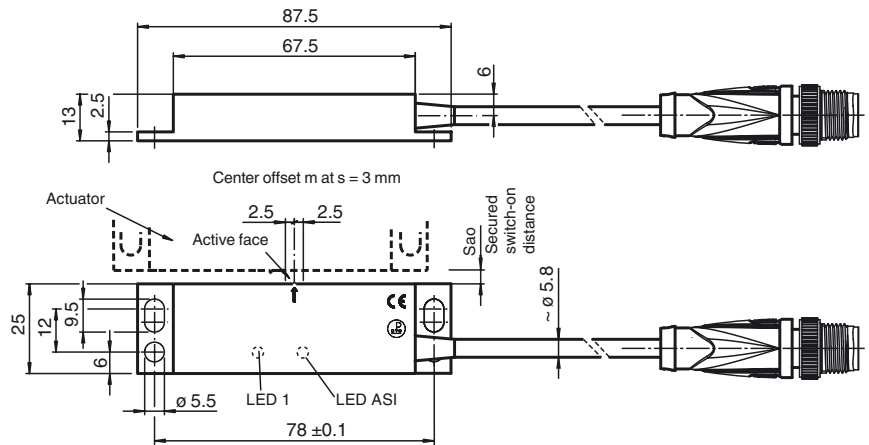


**Accessories**

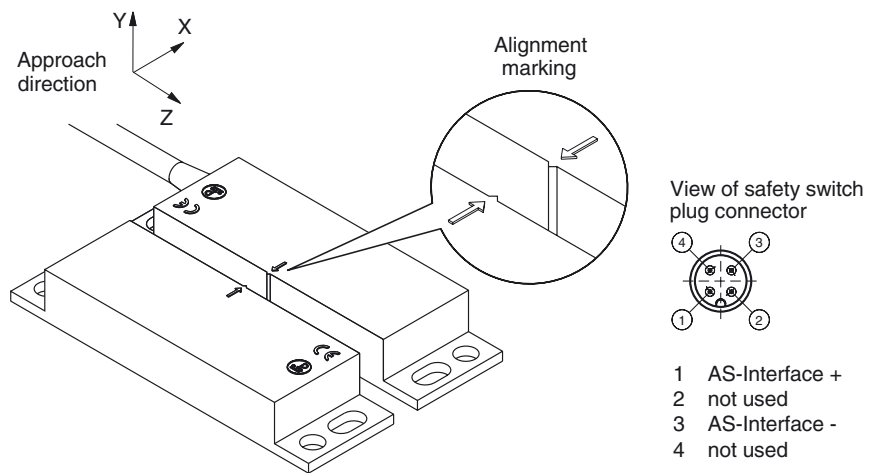
**VAZ-T1-FK-V1**

Splitter box AS-Interface to 1x M12 round connector

**Dimensions**



**Indicating / Operating means**



**Technical data**

**General specifications**

Detection type	magnetic
assured start-up distance	$s_{a0}$ 9 mm
assured release distance	$s_{ar}$ $\leq$ 70 mm
Center offset	$m$ $\pm$ 2.5 mm at distance $s = 3$ mm
Slave type	Safety-Slave
AS-Interface specification	V2.1
Required master specification	$\geq$ V2.0
Response delay	$<$ 5 ms
UL File Number	E155795

**Functional safety related parameters**

Safety Integrity Level (SIL)	SIL 3
Performance level (PL)	PL e
Mission Time ( $T_M$ )	20 a
$PFH_d$	4.29 E-8

**Indicators/operating means**

LED 1	programmable
LED AS-i	green: normal operation red: no data exchange red/yellow flashing: no data exchange Red/green flashing: Device error in the slave red flashing: Device error in the slave

**Electrical specifications**

Rated operating voltage	$U_e$	26.5 ... 31.6 V from AS-Interface
Rated operating current	$I_e$	$\leq$ 30 mA
Power supply		via AS-Interface network

**Output**

Number/Type	LED red
Switching voltage	24 V
Switching current	max. 0.5 A

Release date: 2018-01-24 15:48 Date of issue: 2018-05-17 210518\_eng.xml

Supply from AS-Interface

**Directive conformity**

Electromagnetic compatibility

Directive 2014/30/EU EN 62026-2:2013 IEC 60947-5-3:1999

Machinery Directive

Directive 2006/42/EC EN ISO 12100-1, -2:2003 EN 1088:1995+A2:2008

**Standard conformity**

Degree of protection EN 60529:2000

AS-Interface EN 62026-2:2013

Functional safety ISO 13849-1:2008 (up to category 3/PL e) EN ISO 12100-1, -2:2003 EN 1088:1995+A2:2008

**Programming instructions**

Profile S-7.B

IO code 7

ID code B

ID1 code F

ID2 code E

**Data bits** (function via AS-Interface)

**input**

**output**

D0 dyn. safety code 1 -

D1 dyn. safety code 1 LED 1

D2 dyn. safety code 2 -

D3 dyn. safety code 2 -

**Parameter bits** (programmable via AS-i)

P0 IN1 -

P1 IN2 -

P2 IN3 -

P3 IN4 -

**Ambient conditions**

Ambient temperature -20 ... 60 °C (-4 ... 140 °F)

Shock and impact resistance 30 g/11 ms

**Mechanical specifications**

Degree of protection IP67

Connection with fixed cable and M12 connector, 4-pin

Material

Housing PPS

Cable PUR

Installation any position

Cable length 1 m

Life span 100 x 10<sup>6</sup> switching cycles

**Matching system components**

**VAZ-IER1-ACTUATOR1-S**

Actuator for non-contact AS-Interface

Reed safety switch