



Power supply

K34-STR-24..30V-3X500VAC-10A

- 8 A output load
- 3 x 380 ... 500 V AC supply voltage
- Sustained short-circuit proof, overload-proof and open-circuit proof
- 23 ... 30 V_{DC} output voltage, can be regulated
- LED operating display
- LED output overload indicator
- SELV
- Suitable for AS-Interface power supply in gateway-integrated data decoupling

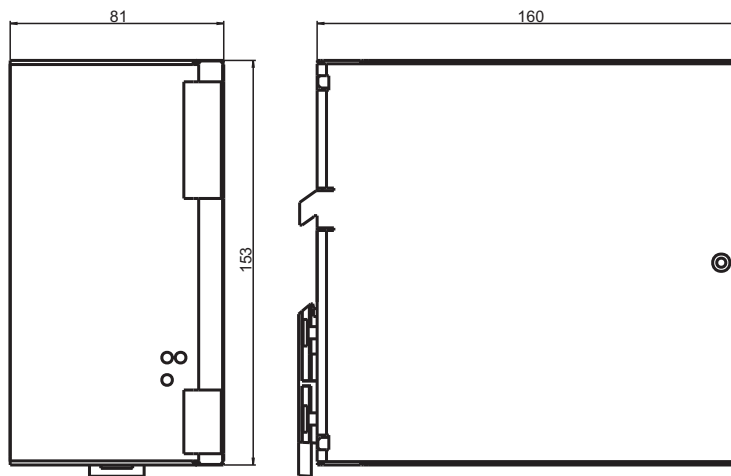
Switched mode power supply, 23 ... 30 V DC, 8 A



Function

The slim-line power pack provides a direct voltage in an even larger adjustable output voltage range of 23 ... 30 V DC, while optimizing the space available in the control cabinet. The current limit can be adjusted via an internal potentiometer. In addition to an LED showing the operational status (power), a red LED (overload) signals overloads on the output side. The device features a convenient DIN rail fastening.

Dimensions



Technical Data

General specifications

UL File Number E223176

Indicators/operating means

LED Overload Red LED lights up for overload, flashes for hiccup mode

LED PWR LED green

Potentiometer Output voltage settings: 23 ... 30 V_{DC}

Electrical specifications

Capacity factor 0.55 capacitive

Rated operating voltage U_e 3 x 340 ... 550 V_{AC}

Rated operating current I_e 3 x 700 mA At 400 V_{AC}

Supply frequency 47 ... 63 Hz

Release date: 2023-11-21 Date of issue: 2023-11-21 Filename: 211139_eng.pdf

Refer to "General Notes Relating to Pepperl+Fuchs Product Information".

Pepperl+Fuchs Group
www.pepperl-fuchs.com

USA: +1 330 486 0001
fa-info@us.pepperl-fuchs.com

Germany: +49 621 776 1111
fa-info@de.pepperl-fuchs.com

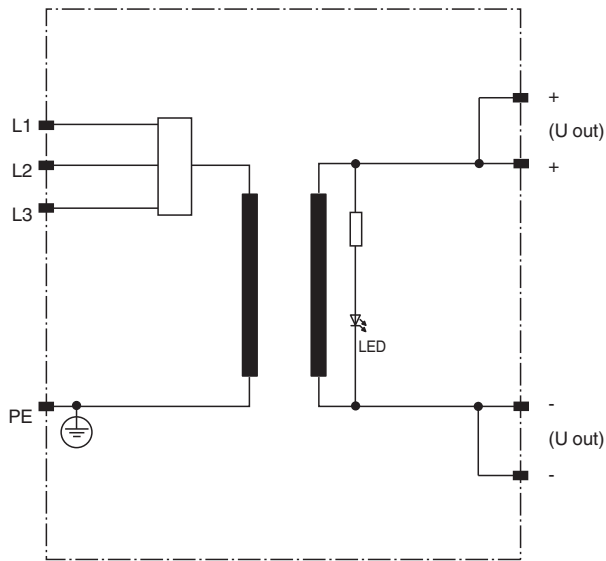
Singapore: +65 6779 9091
fa-info@sg.pepperl-fuchs.com

PF PEPPERL+FUCHS

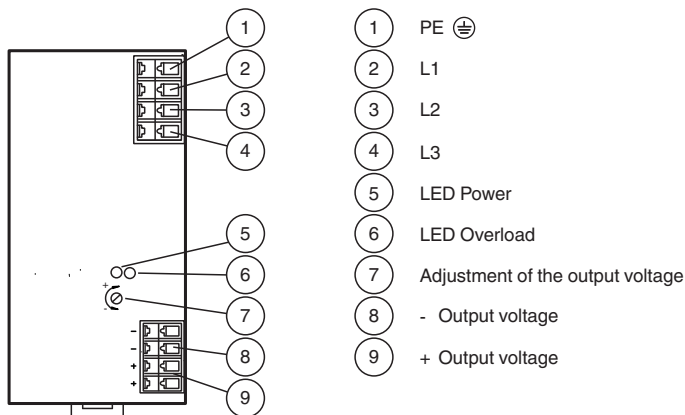
Technical Data

Efficiency	89 %
Nominal voltage	3 x 380 ... 500 V _{AC}
Output	
Current limit	12.5 A
Voltage	30 V ± 1 % Adjustment range 23 to 30 V DC
Current	0 ... 8 A
Directive conformity	
Electromagnetic compatibility	
Directive 2014/30/EU	EN 55011, EN 61000-6-1, EN 61000-6-2
Low voltage	
Directive 2014/35/EU	EN 55011, EN 61000-6-1, EN 61000-6-2, EN 61000-6-3, EN 61000-6-4, EN 61000-3-2 class A, EN 61000-3-3, EN 61010-1
Conformity	
Degree of protection	IEC 60529:2001
Standard conformity	
Standards	Harmonic waves: EN 61000-3-2 Class A Interference suppression: EN 55011 Class B Electrostatic discharge (ESD): IEC 61000-4-2 (8 kV contact discharge, 15 kV air discharge) Electromagnetic fields: IEC 61000-4-3 (10 V/m) Burst: IEC 61000-4-4 (4 kV input, 2 kV output/capacitively coupled) Surge: IEC 61000-4-5 (4 kV asymmetrical, 4 kV symmetrical) Conducted interference: IEC 61000-4-6 (10 V, 150 kHz to 80 MHz)
Ambient conditions	
Ambient temperature	-10 ... 60 °C (14 ... 140 °F) with free convection noncondensing
Storage temperature	-25 ... 85 °C (-13 ... 185 °F)
Mechanical specifications	
Housing length	160 mm
Housing width	81 mm
Housing height	153 mm
Degree of protection	IP20
Protection class	I, Protective conductor connection necessary
Connection	Connection terminals, max. conductor cross-section 0.5 to 2.5 mm ² Stripping length 5 to 6 mm
Mass	approx. 1400 g
Mounting	DIN mounting rail

Connection



Assembly



Mounting

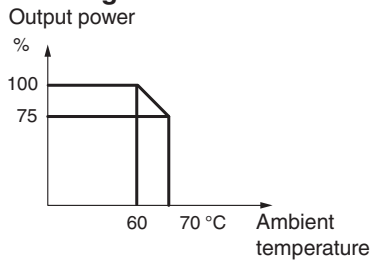
In order to ensure proper heat dissipation the power supply has to be mounted vertically in such a way, that the input terminals (L/N/PE) are located at the upper side and the output terminals (+/-) at the lower side of the front panel.
 A minimum clearance of 100 mm beneath and above and 30 mm to the right and left of the power supply must be provided.
 The inlet air temperature beneath the unit must not exceed the values specified in the technical specification.
 The two plus respectively the two minus output connections are internally tied together.

Release date: 2023-11-21 Date of issue: 2023-11-21 Filename: 211139_eng.pdf

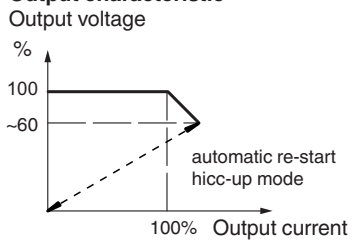
Refer to "General Notes Relating to Pepperl+Fuchs Product Information".

Characteristic Curve

Derating



Output characteristic



Release date: 2023-11-21 Date of issue: 2023-11-21 Filename: 211139_eng.pdf

Refer to "General Notes Relating to Pepperl+Fuchs Product Information".

Pepperl+Fuchs Group
www.pepperl-fuchs.com

USA: +1 330 486 0001
fa-info@us.pepperl-fuchs.com

Germany: +49 621 776 1111
fa-info@de.pepperl-fuchs.com

Singapore: +65 6779 9091
fa-info@sg.pepperl-fuchs.com