

Mounting aid OMH-C110-01

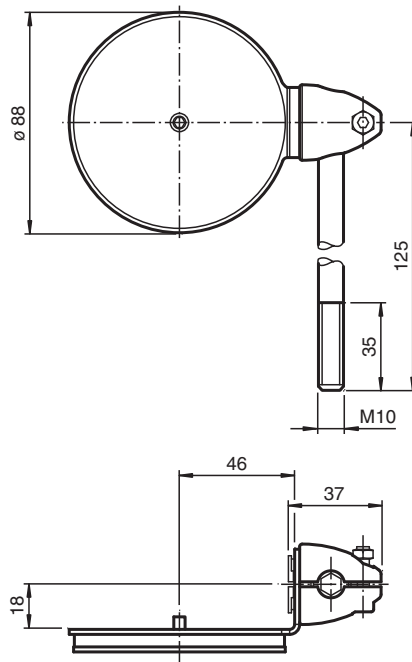


- Mounting bracket
- Simple and fast mounting
- Fixed setting

Mounting bracket



Dimensions



Technical Data

Mechanical specifications

Material	Stainless steel
Mass	approx. 277 g
Mounting	Mounting accessories included

Suitable series

Series	reflector C110-2
Reflector series	C110-2

Release date: 2021-02-08 Date of issue: 2021-02-08 Filename: 215234_eng.pdf

Refer to "General Notes Relating to Pepperl+Fuchs Product Information".

Pepperl+Fuchs Group
www.pepperl-fuchs.com

USA: +1 330 486 0001
fa-info@us.pepperl-fuchs.com

Germany: +49 621 776 1111
fa-info@de.pepperl-fuchs.com

Singapore: +65 6779 9091
fa-info@sg.pepperl-fuchs.com

PF PEPPERL+FUCHS