



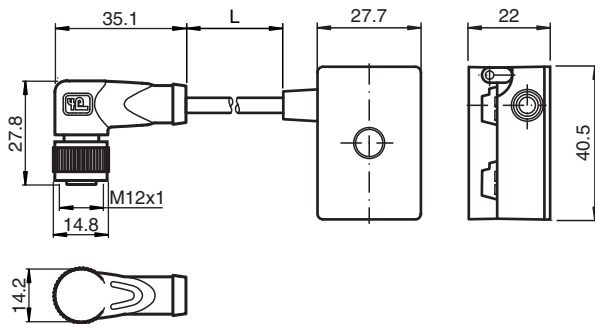
# AS-Interface splitter box VAZ-T1-FK-G10-1M-PUR-V1-W

- One piece housing
- Simple and fast mounting
- Gold-plated and machined contacts
- Oil and abrasion resistant PUR line appropriate for drag chains
- Immunity to vibration
- Degree of protection IP68 / IP69K
- Halogen-free

Splitter box G10, AS-Interface to 1x M12 round connector



## Dimensions



## Technical Data

### General specifications

Construction type	Socket, right-angled AS-Interface flat cable, terminal compartments	
UL File Number	E223772 "For use in NFPA 79 Applications only"	

### Electrical specifications

Rated operating voltage	$U_e$	$\leq 32$ V PELV ( AS-Interface )
Rated operating current	$I_e$	$\leq 3$ A
Protection class	III	
Current loading capacity	max. 4 A	
Surge protection	overvoltage category III	

### Compliance with standards and directives

Standard conformity	
Degree of protection	EN 60529:2000

### Approvals and certificates

UL approval	cULus Listed, Type 1 enclosure
Maximum permissible ambient temperature	max. 55 °C (max. 131 °F)

### Ambient conditions

Ambient temperature	-25 ... 75 °C (-13 ... 167 °F)
---------------------	--------------------------------

Release date: 2021-09-17 Date of issue: 2021-09-17 Filename: 216033\_eng.pdf

Refer to "General Notes Relating to Pepperl+Fuchs Product Information".

Pepperl+Fuchs Group  
www.pepperl-fuchs.com

USA: +1 330 486 0001  
fa-info@us.pepperl-fuchs.com

Germany: +49 621 776 1111  
fa-info@de.pepperl-fuchs.com

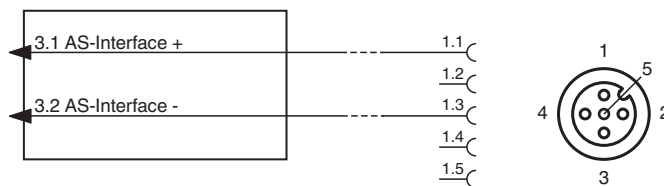
Singapore: +65 6779 9091  
fa-info@sg.pepperl-fuchs.com

**PF** PEPPERL+FUCHS

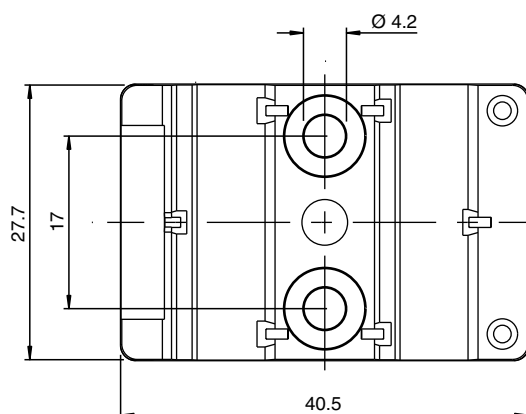
## Technical Data

Storage temperature	-25 ... 85 °C (-13 ... 185 °F)	
Pollution degree	3	
<b>Mechanical specifications</b>		
Degree of protection	IP67 IP67 / IP68 / IP69K with flat cable VAZ-FK-S*	
Connection	Flat cable AS-Interface: cable piercing method Plug connection: M12 x 1 socket (V1)	
<b>Material</b>		
Contacts	CuSn / Au	
Housing	PBT PC	
Body	PUR, black	
Cable	PUR	
Mounting screw	Stainless steel 1.4305 / AISI 303	
<b>Cable</b>		
Sheath diameter	Ø4,3 mm	
Color	black	
Cores	2 x 0.34 mm <sup>2</sup>	
Length	L	1 m
Mass	75 g	
Tightening torque, fastening screws	1.65 Nm	
Note	The unused flat cable connector is closed with a seal.	

## Connection



## Mounting



You may screw the device onto a level mounting surface using two M4 attachment screws. The attachment screws are not included.