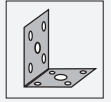




Mounting aid OMH-09

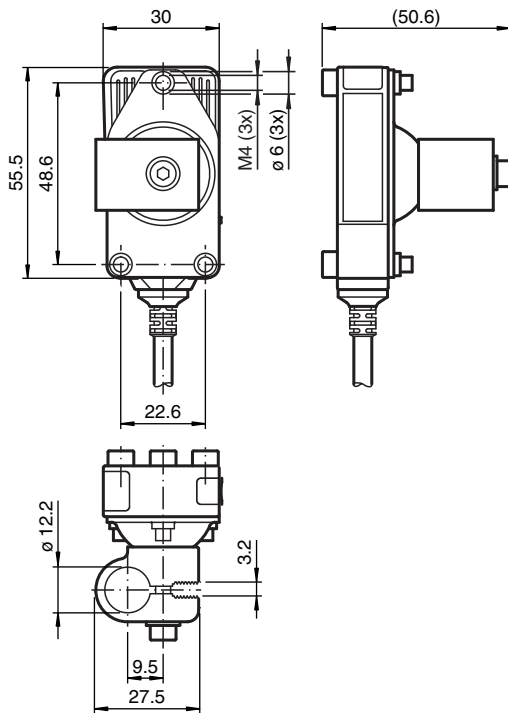
- Bracket for round steel or sheet



Mounting bracket for Sensors series MLV41 for M12 rod mounting



Dimensions



Technical Data

Mechanical specifications

| | |
|------------------------|----------------------------------|
| Material | Metal sheet (steel), zinc-plated |
| Mass | approx. 48 g |
| Mounting | Mounting accessories included |
| Suitable series | |
| Series | MLV41 |

Release date: 2020-03-23 Date of issue: 2020-06-30 Filename: 216140_eng.pdf

Refer to "General Notes Relating to Pepperl+Fuchs Product Information".

Pepperl+Fuchs Group
www.pepperl-fuchs.com

USA: +1 330 486 0001
fa-info@us.pepperl-fuchs.com

Germany: +49 621 776 1111
fa-info@de.pepperl-fuchs.com

Singapore: +65 6779 9091
fa-info@sg.pepperl-fuchs.com

PF PEPPERL+FUCHS